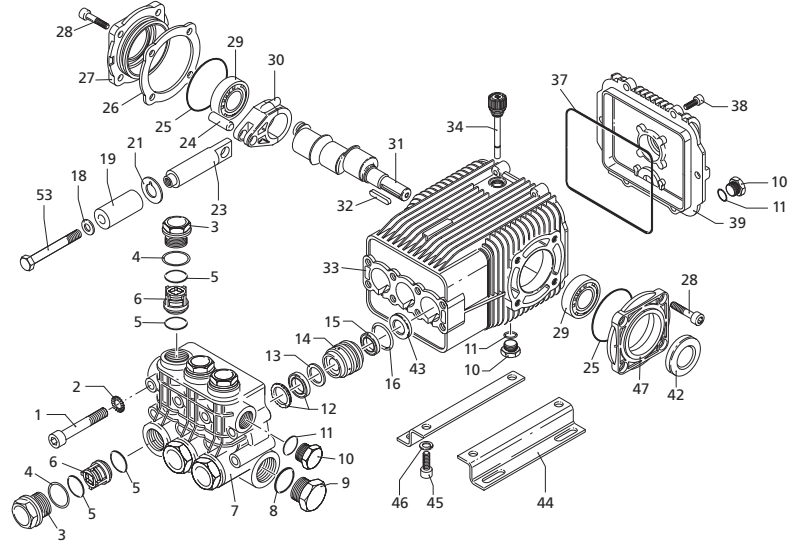
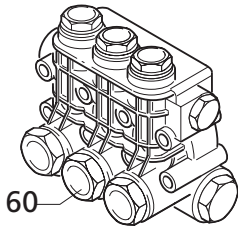


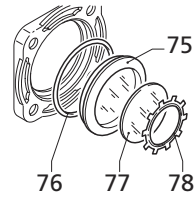
# XWAM - 1750 RPM



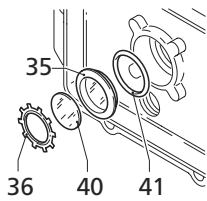
## Complete Pump Head



## Side Cover w/Sight Glass



## Rear Sight Glass



# XWAM - 1750 RPM Parts & Kits

Pos	Code	Description	Qty	Note
1	1940260	Head Bolt M10x80 (442 in/lbs)	8	
2	650530	Lock Washer	8	
3	1940140	Valve Cap (602 in/lbs)	6	
4	1940150	Fiber Ring	6	
5	1140450	O-Ring Ø20.24x2.62	12	
6	1949050	Complete Valve	6	
7	1940021	Blank Pump Head	1	○ ■ ●
	1941210	Blank Pump Head	1	□
8	550350	O-Ring Ø23.81x2.62	1	
9	1140300	Plug 3/4" G	1	
10	1989600	Plug 3/8" G Brass, w/O-ring	3	
11	740290	O-Ring Ø14x1.78	3	
12	1940440	High Pressure Seal w/ring Ø 20	3	
13	1942340	Fiber Ring	3	
14	1942410	Piston Guide	3	
15	840280	Low Pressure Seal Ø20	3	
16	820490	O-Ring Ø34.65x1.78	3	
18	1340600	Washer Copper	3	
19	1942330	Piston	3	
21	1383190	Washer (Slinger)	3	
23	1940960	Piston Rod	3	
24	1940060	Connecting Rod Pin	3	
25	1941380	O-Ring Ø66.34x2.62	2	
	1941390	Shim 0.05 mm	1-3	
	1941400	Shim 0.10 mm	1-3	
	1941410	Shim 0.19 mm	1-3	
	1941420	Shim 0.25 mm	1-3	
27	1949011	Side Cover w/Sight Glass	1	
28	850370	Bolt M8x16 (217 in/lbs)	8	
29	1140410	Bearing	2	
30	1940051	Connecting Rod w/bolt and lock washer (89 in/lbs)	3	
	1940180	Solid Shaft 24mm, NL, 3 ID Stamp	1	○
	1940160	Solid Shaft 24mm, NL, 1 ID Stamp	1	□
	1940530	Solid Shaft 24mm, NL, 6 ID Stamp	1	■
	1940170	Solid Shaft 24mm, NL, 2 ID Stamp	1	●
32	650250	Key	1	
33	1941330	Pump Housing	1	
34	1140370	Oil Cap (Vented Dipstick)	1	
35	1260250	Oil Sight Glass	1	
36	1260430	Retainer Ring	1	
37	1940410	O-Ring Ø132x3	1	
38	1200430	Bolt M6x16 (89 in/lbs)	6	
39	1949010	Compete Rear Cover	1	
40	1780690	Sight Glass Diffuser	1	
41	1140450	O-Ring Ø20.24x2.62	1	
42	820680	Shaft Oil Seal	1	

Pos	Code	Description	Qty	Note
43	1940560	Oil Seal	3	
44	1940370	Rail 1-1/4"	2	
45	1940380	Bolt M10x18	4	
46	200231	Washer	4	
47	1941240	Open Bearing Support	1	
53	1941640	Piston Bolt M6x60	3	
60	1949216	Complete Pump Head	1	○ ■ ●
	1949217	Complete Pump Head	1	□
75	1941270	Oil Sight Glass	1	
76	100410	O-Ring Ø34.6x2.62	1	
77	1941260	Sight Glass Diffuser	1	
78	1941290	Retainer Ring	1	
79	1381550	Lock Washer	3	
80	1380510	Bolt	3	

AR64516 Oil (16 oz) - Capacity 32 oz, QTY 2  
Pumps are Prefilled with Oil from the Factory.  
Change oil every 3-5 months or every 500 hours of operation.  
NL = 45mm Shaft Length  
Tightening torque (Tolerance + 0 ÷ -10%)

OPTIONAL PARTS/KITS				
Pos	Code	Description	Qty	Note
	980069	Piston Guide Extractor	1	
	2520410	Piston Guide Extractor w/Handle	1	
	2748	Rail Kit 1-1/4" 2 Rails, 4 Bolts, 4 Washers	1	Pos 44, 45, 46

LEGEND				
Symbol	Material	Description		
○	-	XWA-M5.5G40	Ø 20	
●	-	XWA-M7G40	Ø 20	
□	-	XWA-M8G29, XWA-M8G35	Ø 20	
■	-	XWA-M4G40	Ø 20	

Valve Kit 2780	
Pos.	Qty
5	6
6	6

Piston Kit 2288	
Pos.	Qty
18	3
19	3
21	3

Water Seal Kit 2278	
Pos.	Qty
12	3
13	3
15	3
16	3

Oil Seal Kit 2781	
Pos.	Qty
25	1
37	1
42	1
43	3

Piston Guide Kit 2279	
Pos.	Qty
14	3