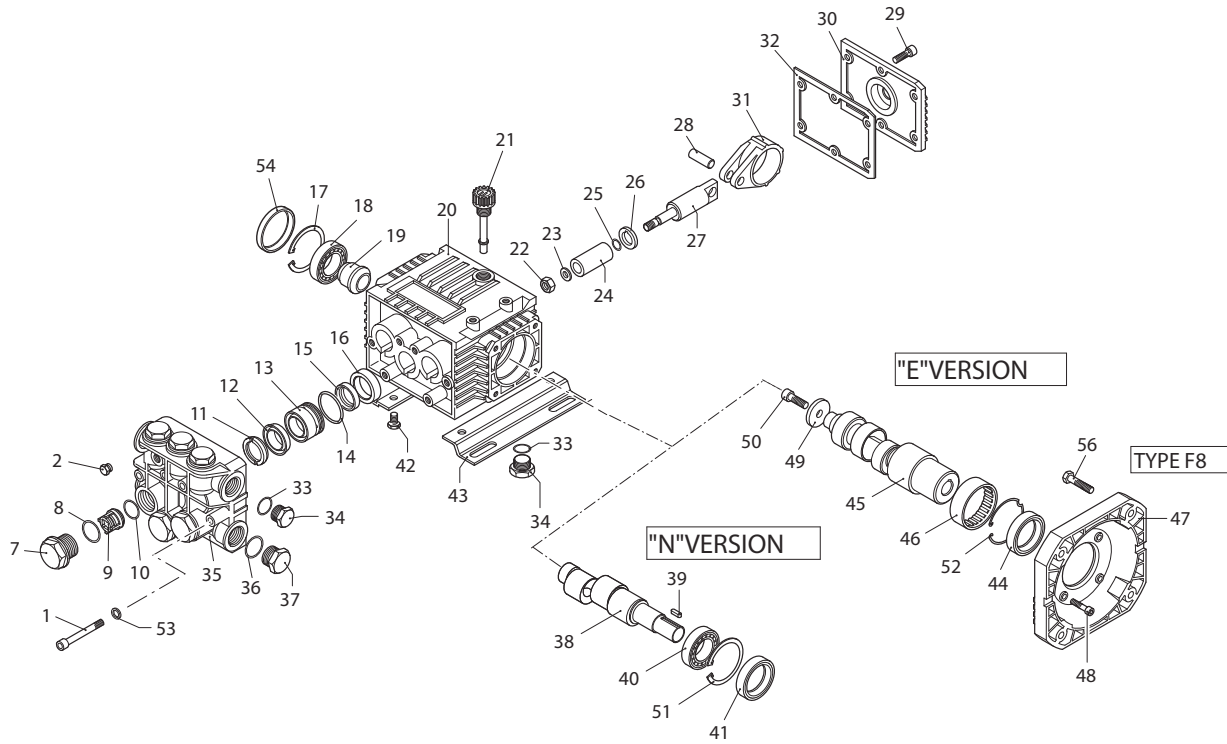
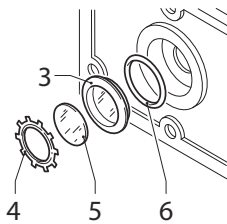


XTA - 1750 RPM



Rear Cover Oil Sight Glass



XTA - 1750 RPM - Parts & Kits

Pos	Code	Description	Qty	Note
1	1322730	Head Bolt M6x60 (137 in/lbs)	6	
2	620301	Plug 1/8" G	1	
3	1260250	Oil Sight Glass	1	
4	1260430	Retainer Ring	1	
5	1780690	Sight Glass Diffuser	1	
6	1140450	O-Ring Ø20.24x2.62	1	
7	1269657	Valve Cap w/O-ring, Forged (300 in/lbs)	6	
8	960160	O-Ring Ø17.86x2.62	6	
9	1269050	Complete Valve	6	
10	880830	O-Ring Ø15.54x2.62	6	
11	1520120	Support Ring Ø15	3	
	1320340	Support Ring Ø18	3	
12	1260130	High Pressure Seal Ø15	3	
	1260220	High Pressure Seal Ø18	3	
13	1260151	Piston Guide Ø15	3	
	13203351	Piston Guide Ø18	3	
14	1260420	O-Ring Ø26.70x1.78	3	
15	1260440	Low Pressure Seal Ø15	3	
	1260450	Low Pressure Seal Ø18	3	
16	1260460	Oil Seal	3	
17	1260790	Retainer Ring Ø i52	1	
18	1320370	Bearing	1	
19	1320330	Bushing	1	
20	1320010	Pump Housing	1	
21	880130	Oil Cap (Vented Dipstick)	1	
22	1260110	Nut M8 (106 in/lbs)	3	
23	1260100	Washer 8x13x0.50	3	
24	1260120	Piston Ø15	3	
	1260210	Piston Ø18	3	
25	480480	O-Ring Ø4.48x1.78	3	
26	1260091	Washer (slinger)	3	
27	1260070	Piston Rod	3	
28	1260080	Piston Rod Pin	3	
29	1260760	Bolt M5x20 (48in/lbs)	6	
30	1329010	Rear Cover	1	
31	1260060	Connecting Rod Alum.	3	
	1320140	Connecting Rod Bronze	3	
32	1260040	Gasket	1	
33	740290	O-Ring Ø14x1.78	2	
34	1989600	Plug 3/8" G Brass w/O-ring	2	
35	1320022	Blank Head Brass Ø15	1	
	1320020	Blank Head Brass Ø18	1	
36	180101	O-Ring Ø17.5x2	1	
37	820361	Plug 1/2" G Brass	1	
	1260200	Solid Shaft 24mm, 6 ID Stamp	1	▽
38	1260190	Solid Shaft 24mm, 5 ID Stamp	1	○ □ ■
	1320260	Solid Shaft 24mm, 7 ID Stamp	1	●
39	1380520	Key	1	
40	1320370	Bearing (N Version Only)	1	
41	1260750	Shaft Oil Seal (N Version Only)	1	

Pos	Code	Description	Qty	Note
42	1260470	Bolt M8x10	4	
43	1263890	High Rail 1-1/2" (N Version Only)	2	
	1260830	Low Rail 3/8" (N Version Only)	2	
44	480671	Shaft Oil Seal (E Version Only)	1	
	1321110	Hollow Shaft Ø 5/8", 5 ID Stamp	1	○ □ ■
45	1322240	Hollow Shaft Ø 5/8"	1	▽
	1322250	Hollow Shaft Ø 5/8", 7 ID Stamp	1	●
	1323030	Hollow Shaft Ø 5/8", D ID Stamp	1	☒
46	1321190	Bearing (E Version Only)	1	
47	1584	F8 Flange Electric motor flange, NEMA 56-C	1	
48	1200430	Bolt M6x16	4	
49	780230	Washer Ø 6.5	1	
50	390430	Bolt M6x25	1	
51	1260790	Retainer Ring Ø i52	1	
52	1321080	Retainer Ring	1	
53	1381550	Lock Washer	6	
54	1266740	Bearing Cap	1	
55	1269250	Complete Pump Head 18 mm	1	▽ ● ■
56	650610	Bolt 3/8"	4	

AR64516 Oil (16oz) QTY 1
 Capacity PSI < 1740 = 8 oz - Low
 Capacity PSI > 1740 = 10 oz - High
 Prefilled with Oil from the Factory.
 Change oil every 3-5 months or every 500 hours of operation.
 Tightening torque (Tolerance + 0 ÷ -10%)

OPTIONAL PARTS/KITS

Pos	Code	Description	Qty	Note
	2029	Viton Water Seals Kit Ø 15	1	
	2030	Viton Water Seals Kit Ø 18	1	
	2815	Water Seal Kit for up to 180° F Ø 15 High Temp	1	
	2816	Water Seal Kit for up to 180° F Ø 18 High Temp	1	
	1836	Rail Kit 3/8" - 2 Rails & 4 Bolts (N only)	1	Pos 42, 43
	1836H	Rail Kit 1-1/2" - 2 Rails & 4 Bolts (N only)	1	Pos 42, 43
7	1260162T	Tapped Valve Cap 1/4" threaded (300 in/lbs)	1	
7	1260163	Tapped Valve Cap 1/8" threaded (300 in/lbs)	1	

LEGEND

Symbol	Material	Description
▽	-	XTA3.5G17, XTA3.5G20 Ø 18
○	-	XTA1G15, XTA2G15 Ø 15
●	-	XTA4G10, XTA4G15 Ø 18
□	-	XTA2G20, XTA2G22 Ø 15
■	-	XTA3G16, XTA3G19, XTA3G22 Ø 18
☒	-	XTA0.5G10 Ø 15

Valve Kit 1864

Pos.	Qty
9	6
10	6

Piston Kit 2628 (Ø15) Kit 2629 (Ø18)

Pos.	Qty
22	3
23	3
24	3
25	3
26	3

Water Seal Kit 2520 (Ø15) Kit 1874 (Ø18)

Pos.	Qty
11	3
12	3
14	3
15	3

Oil Seal Kit 1872 (N) Kit 1860 (E)

Pos.	Qty
16	3
32	1
41(N)/44(E)	1
54	1