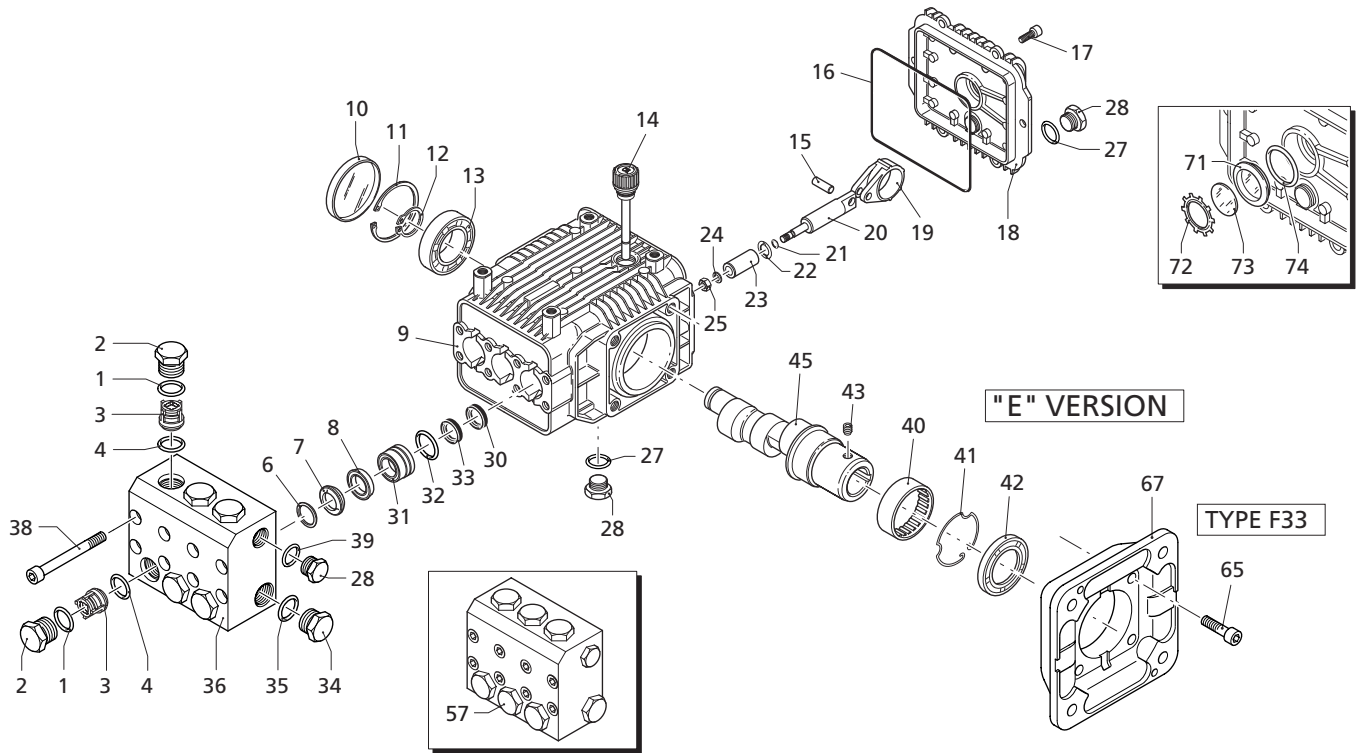
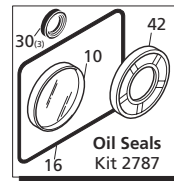
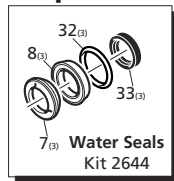
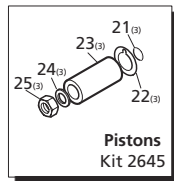
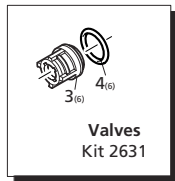


XMA- Stainless Steel - 1750 RPM



Repair Kits



Pos	Code	Description	Qty	Pos	Code	Description	Qty	Legend		
1	960161	O-Ring $\phi 17.86 \times 2.62$	6	40	1321190	Bearing	1	$\phi 15$	$\phi 15$	$\phi 15$
2	2580031	Valve cap	(443 in/lbs) 6	41	1321080	Snap ring	1	For \circ	For Δ	For \bullet
3	960850T	Valve cap 1/4" threaded-SS	(443 in/lbs) 1	42	480671	Oil seal	1	XMA-SS0.5G15	XMA-SS2.5G15	XMA-SS3G15
4	2589050	Complete valve	6	43	820440	Grub screw	1			
6	880831	O-Ring $\phi 15.54 \times 2.62$	6	45	1780170	Crankshaft 24mm	1			
7	1780130	Support ring	3	45	1781170	Hollow shaft	\circ 1			
8	1260131	High pressure packing	3	45	1781180	Hollow shaft	Δ 1			
7	1781030	Back-up ring	3	45	1780990	Hollow shaft	\bullet 1			
9	2580010	Pump body	1	57	2589200	Complete pump head	$\Delta \circ$ 1			
10	1266740	Side cover seal	1	57	2589201	Complete pump head	\bullet 1			
11	1260790	Circlip $\phi 152$	1	65	180030	Bolt M8x20	4			
12	1780550	Snap ring	1	67	1780910	Electric motor flange	1			
13	1780490	Bearing	1	71	1260250	Oil sight glass	1			
14	880130	Oil cap	1	72	1260430	Snap ring	1			
15	1780050	Piston pin	3	73	1780690	Contrast disc	1			
16	1780510	O-Ring $\phi 106 \times 3$	1	74	1140450	O-Ring $\phi 20.24 \times 2.62$	1			
17	680560	Bolt M6x16	(89 in/lbs) 6							
18	2349010	Complete rear cover	1		AR64516	Oil	1			
19	1780710	Con rod - Bronze	3			OIL CAPACITY - 14.5 OZ				
20	1780060	Guiding piston	3							
21	480482	O-Ring $\phi 4.48 \times 1.78$	3							
22	2580120	Slinger	3							
23	1780070	Piston	3							
24	2340200	Piston washer	3							
25	2580110	Nut M8	(106 in/lbs) 3							
27	740290	O-Ring $\phi 14 \times 1.78$	2							
28	2340350	Plug 3/8" G	3							
30	1260460	Oil seal	3							
31	2580050	Rear piston guide	3							
32	770261	O-Ring $\phi 23.52 \times 1.78$	3							
33	1260441	Low pressure seal	3							
34	2340360	Plug 1/2" G	1							
35	180102	O-Ring $\phi 17.5 \times 2$	1							
36	2580080	Head	$\circ \Delta$ 1							
36	2580020	Head	\bullet 1							
38	2580090	Head bolt M6x60	(80 in/lbs) 8							
39	740291	O-Ring $\phi 14 \times 1.78$	1							

