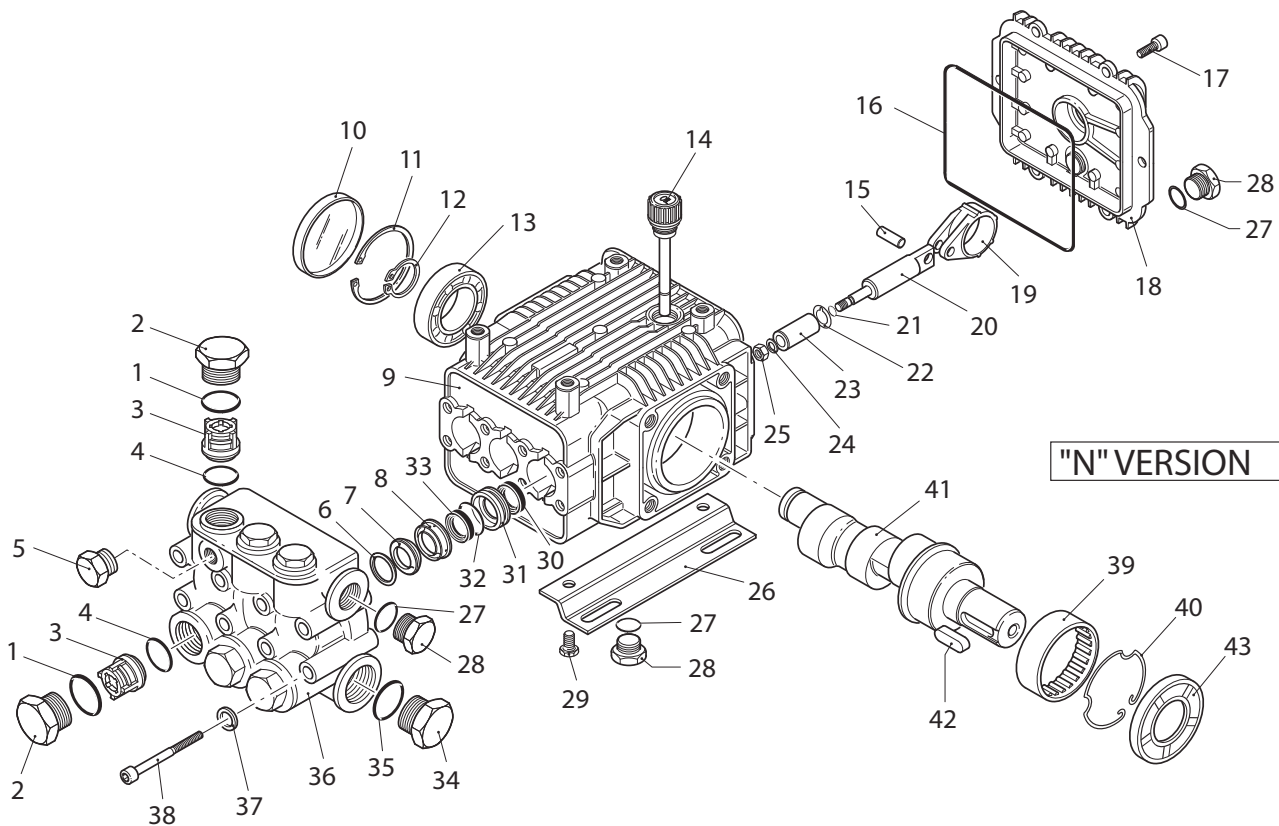
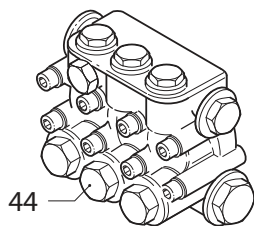


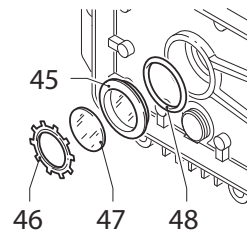
XM - 1450 RPM



Complete Pump Head



Rear Cover Oil Sight Glass



XM - 1450 RPM Parts & Kits

| Pos | Code | Description | Qty | Note |
|-----|-----------------|---------------------------|-------------------------------|------|
| 1 | 960160 | O-Ring | Ø 17.86x2.62 | 6 |
| 2 | 1269657 | Valve Cap | w/0-ring, Forged (442 in/lbs) | 6 |
| 3 | 1269050 | Complete Valve | | 6 |
| 4 | 880830 | O-Ring | Ø 15.54x2.62 | 6 |
| 5 | 620301 | Plug | 1/8" G | 1 |
| 6 | 1780130 | Support Ring | Ø 15 | 3 |
| | 1780140 | Support Ring | Ø 18 | 3 |
| 7 | 1260130 | High Pressure Seal | Ø 15 | 3 |
| | 1260220 | High Pressure Seal | Ø 18 | 3 |
| 8 | 1780090 | Front Piston Guide | Ø 15 | 3 |
| | 1780110 | Front Piston Guide | Ø 18 | 3 |
| 9 | 1780010 | Pump Body | | 1 |
| 10 | 1266740 | Bearing Cap | | 1 |
| 11 | 1260790 | Retainer Ring | Ø i52 | 1 |
| 12 | 1780550 | Retainer Ring | Ø e 20 | 1 |
| 13 | 1780490 | Bearing | | 1 |
| 14 | 880130 | Oil Cap (Vented Dipstick) | | 1 |
| 15 | 1780050 | Connecting Rod Pin | | 3 |
| 16 | 1780510 | O-Ring | Ø 106x3 | 1 |
| 17 | 1200430 | Bolt | M6x16 (89 in/lbs) | 6 |
| 18 | 1789010 | Rear Cover | | 1 |
| 19 | 1780040 | Connecting Rod | Alum. | 3 |
| 20 | 1780060 | Piston Rod | | 3 |
| 21 | 480480 | O-Ring | Ø 4.48x1.78 | 3 |
| 22 | 1260091 | Washer | (slinger) | 3 |
| | 1780070 | Piston | Ø 15 | 3 |
| 23 | 1780080 | Piston | Ø 18 | 3 |
| 24 | 1260100 | Washer | 8x13x0.50 | 3 |
| 25 | 1260110 | Nut | M8 (106 in/lbs) | 3 |
| | 1380141 | Rail | 5/8" | 2 |
| 26 | Z-Bracket-1 3/4 | Rail | 1-3/4" | 2 |
| | Z-Bracket | Rail | 2-5/8" | 2 |
| 27 | 740290 | O-Ring | Ø 14x1.78 | 3 |
| 28 | 1989600 | Plug | 3/8" G Brass, w/0-ring | 3 |
| 29 | 1260470 | Bolt | M8x10 | 4 |
| 30 | 1260460 | Oil Seal | | 3 |
| 31 | 1780100 | Rear Piston Guide | Ø 15 | 3 |
| | 1780120 | Rear Piston Guide | Ø 18 | 3 |
| 32 | 770260 | O-Ring | Ø 23.52x1.78 | 3 |
| | 1260440 | Low Pressure Seal | Ø 15 | 3 |
| 33 | 1260450 | Low Pressure Seal | Ø 18 | 3 |
| 34 | 820361 | Plug | 1/2" G - Brass | 1 |
| 35 | 180101 | O-Ring | Ø 17.5x2 | 1 |
| 36 | 1780020 | Blank Head | | 1 |
| 37 | 1381550 | Lock Washer | | 8 |
| 38 | 1322730 | Head Bolt | M6x60 (133 in/lbs) | 8 |
| 39 | 1321190 | Bearing | | 1 |
| 40 | 1321080 | Retainer Ring | | 1 |

| Pos | Code | Description | Qty | Note |
|-----|---------|----------------------|------------------|------|
| 41 | 1780150 | Solid Shaft | 24mm, 1 ID Stamp | 1 |
| | 1780160 | Solid Shaft | 24mm, 2 ID Stamp | 1 |
| | 1780180 | Solid Shaft | 24mm, 4 ID Stamp | 1 |
| 42 | 1380520 | Key | | 1 |
| 43 | 1260750 | Shaft Oil Seal | | 1 |
| 44 | 1789201 | Complete Pump Head | Ø 15 | 1 |
| | 1789202 | Complete Pump Head | Ø 18 | 1 |
| 45 | 1260250 | Oil Sight Glass | | 1 |
| 46 | 1260430 | Retainer Ring | | 1 |
| 47 | 1780690 | Sight Glass Diffuser | | 1 |
| 48 | 1140450 | O-Ring | Ø 20.24x2.62 | 1 |

AR64516 Oil (16 oz) - Capacity 14.5 oz, QTY 1
Pumps are Prefilled with Oil from the Factory.
Change oil every 3-5 months or every 500 hours of operation.
Tightening torque (Tolerance + 0 ÷ -10%)

| OPTIONAL PARTS/KITS | | | | |
|---------------------|----------|--------------------------------|----------------------------|------|
| Pos | Code | Description | Qty | Note |
| | 2776 | Viton Water Seals Kit | Ø 15 | 1 |
| | 2777 | Viton Water Seals Kit | Ø 18 | 1 |
| | 2817 | Water Seal Kit for up to 180°F | Ø 15 High Temp | 1 |
| | 42212 | Water Seal Kit for up to 180°F | Ø 15 High Temp (Teflon) | 1 |
| | 2729 | Rail Kit | 5/8" - 2 Rails & 4 Bolts | 1 |
| | 2633 | Rail Kit | 1-3/4" - 2 Rails & 4 Bolts | 1 |
| | 2633H | Rail Kit | 2-5/8" - 2 Rails & 4 Bolts | 1 |
| 2 | 1260162T | Tapped Valve Cap | 1/4" threaded (442 in/lbs) | 1 |
| | 2740 | Support Ring Kit | Ø 15 | 1 |
| | 2745 | Support Ring Kit | Ø 18 | 1 |

| LEGEND | | | |
|--------|----------|-------------|------|
| Symbol | Material | Description | |
| ∇ | - | XM13.17 | Ø 18 |
| ○ | - | XM11.17 | Ø 15 |
| ■ | - | XM15.15 | Ø 18 |

| Valve Kit 1864 | |
|----------------|-----|
| Pos. | Qty |
| 3 | 6 |
| 4 | 6 |

| Piston Kit 2544 (Ø 15) Kit 2545 (Ø 18) | |
|---|-----|
| Pos. | Qty |
| 21 | 3 |
| 22 | 3 |
| 23 | 3 |
| 24 | 3 |
| 25 | 3 |

| Water Seal Kit 2741 (Ø 15) Kit 2747 (Ø 18) | |
|---|-----|
| Pos. | Qty |
| 7 | 3 |
| 32 | 3 |
| 33 | 3 |

| Oil Seal Kit 2786 | |
|-------------------|-----|
| Pos. | Qty |
| 10 | 1 |
| 16 | 1 |
| 30 | 3 |
| 43 | 1 |

