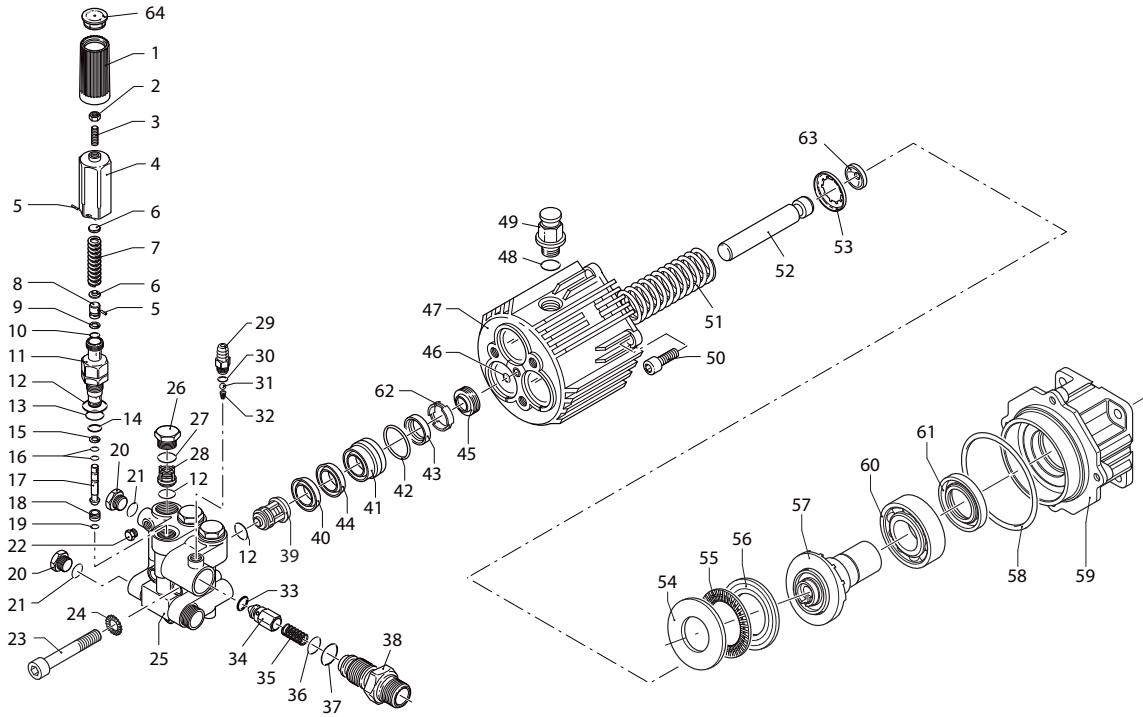
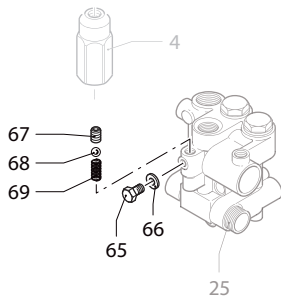


SJV - 3400 RPM



EZ Start



SJV - 3400 RPM - Parts & Kits

Pos	Code	Description	Qty	Note
1	1981780	Unloader Knob	1	■ ●
2	1980300	Nut M6	1	■ ●
3	1980470	Set Screw M6x20	1	■ ●
	392840	Set Screw M6x16	1	▽
4	1980390	Unloader Barrel	1	■ ●
	2760480	Unloader Barrel	1	▽
5	1080070	Roll Pin	2	
6	1980220	Spring Plate	2	
7	1271070	Unloader Spring	1	■ ●
	2760410	Unloader Spring	1	▽
8	1080041	Upper Unloader Piston	1	
9	1080401	Fiber Ring	1	
10	1080250	O-Ring Ø 7.66x1.78	1	
11	1980210	Unloader Piston Guide	1	■ ●
	1980530	Unloader Piston Guide	1	▽
12	880830	O-Ring Ø 15.54x2.62	7	
13	740290	O-Ring Ø 14x1.78	1	
14	800560	O-Ring Ø 8.73x1.78	1	
15	1271170	Fiber Ring	1	
16	1080190	O-Ring Ø 2.9x1.78	2	
17	1271160	Unloader Lower Piston	1	
18	1980200	Unloader Seat	1	
19	1470210	O-Ring Ø 9x1	1	
20	880581	Plug 1/4" G	2	
21	820510	O-Ring Ø 10.82x1.78	2	
22	620301	Plug 1/8" G	1	
23	1980310	Head Bolt M10x65 (443 in/lbs)	3	
24	650530	Lock Washer	3	
25	1982450	Blank Head Brass	1	
	1982740	Blank Head Brass w/ EZ Start	1	
26	1269657	Valve Cap w/O-ring, Forged (443 in/lbs)	3	
27	960160	O-Ring Ø 17.86x2.62	3	
28	1269050	Complete Valve (Outlet) Brass seat	3	
29	1982520	Hose Barb Ø 8	1	
30	480480	O-Ring Ø 4.48x1.78	1	
31	1250280	Ball	1	
32	1560520	Spring	1	
33	1460430	O-Ring Ø 4x2.5	1	
34	1540170	Jet	1	
35	1080091	Spring	1	
36	394280	O-Ring Ø 12.42x1.78	1	
37	1200690	O-Ring Ø 15.6x1.78	1	
38	1270141	Injector Adapter	1	
39	1989050	Complete Valve (Inlet)	3	
40	1342761	High Pressure Seal	3	
41	1981570	Piston Guide	3	
42	770260	O-Ring Ø 23.52x1.78	3	
43	1260440	Low Pressure Seal	3	
44	1981580	Support Ring	3	
45	1980410	Oil Seal	3	

Pos	Code	Description	Qty	Note
46	770090	O-Ring Ø 5.28x1.78	1	
47	1480010	Pump Housing	1	
	1981260	Pump Housing Anodized	1	
48	740290	O-Ring Ø 14x1.78	1	
49	1980380	Oil Cap (Vented Dipstick)	1	
50	180030	Bolt M8x20 (228 in/lbs)	4	
51	1981140	Spring	3	
52	1981120	Piston	3	
53	1980150	Spring Retainer	3	
54	1983100	Thrust Washer	1	
55	1980250	Bearing	1	
56	1980240	Thrust Washer	1	
	1982710	Wobble Plate 9 ID Stamp	1	●
57	1982810	Wobble Plate 6 ID Stamp	1	■
	1982840	Wobble Plate 3 ID Stamp	1	▽
58	1980340	O-Ring Ø 83.8x2.62	1	
59	1981420	F7 Flange	1	
	1982940	F7 Flange Anodized	1	
60	1982360	Rear Bearing	1	
61	1140380	Shaft Oil Seal	1	
62	1980430	Spacer	3	
63	1981130	Plunger Shoe	3	
64	1981770	Unloader Knob Cap	1	
65	1982560	EZ Start Screw EZ Start, TE M6x8	1	
66	1982570	Washer EZ Start, Ø16.3	1	
67	1982440	Grub Screw EZ Start, M8x8	1	
68	1982240	Ball EZ Start	1	
69	1981801	Spring EZ Start	1	

AR64545 Oil - Capacity 4.5 oz, QTY 1
 Prefilled with Oil from the Factory.
 The Oil in the pump is good for the life of the of the pump. Oil does not need to be changed.
 Tightening torque (Tolerance + 0 ÷ -10%)

OPTIONAL PARTS/KITS				
Pos	Code	Description	Qty	Note
	1989240	Complete Manifold w/EZ Start	1	
	1980290	Sight Glass Plug	1	
	2799	O-Ring Kit	1	Pos 9, 10, 12, 13, 14, 15, 16, 19, 21, 27, 30, 31, 32, 33, 36, 37, 48, 58
	42125	Chemical Injector w/o Hose Barb	1	Pos 30, 31, 32

LEGEND		
Symbol	Material	Description
▽	-	SJV3G25, SJV3G27
●	-	SJV2G25
■	-	SJV2.5G24, SJV2.5G25, SJV2.5G26, SJV2.5G27

Unloader Kit 2858	
Pos.	Qty
1	1
2	1
3	1
4	1
5	2
6	2
7	1
8	1
9	1
10	1
11	1
12	1
13	1
14	1
15	1
16	2
17	1
18	1
19	1
64	1

Unloader w/o Knob Kit 2594	
Pos.	Qty
2	1
3	1
4	1
5	2
6	2
7	1
8	1
9	1
10	1
11	1
12	1
13	1
14	1
15	1
16	2
17	1
18	1
19	1

Valve Kit 2869	
Pos.	Qty
12	6
28	3
39	3

Piston Kit 2513	
Pos.	Qty
52	3
63	3

Water Seal Kit 2167	
Pos.	Qty
40	3
42	3
43	3
44	3

Oil Seal Kit 2591	
Pos.	Qty
45	3
46	1
61	1