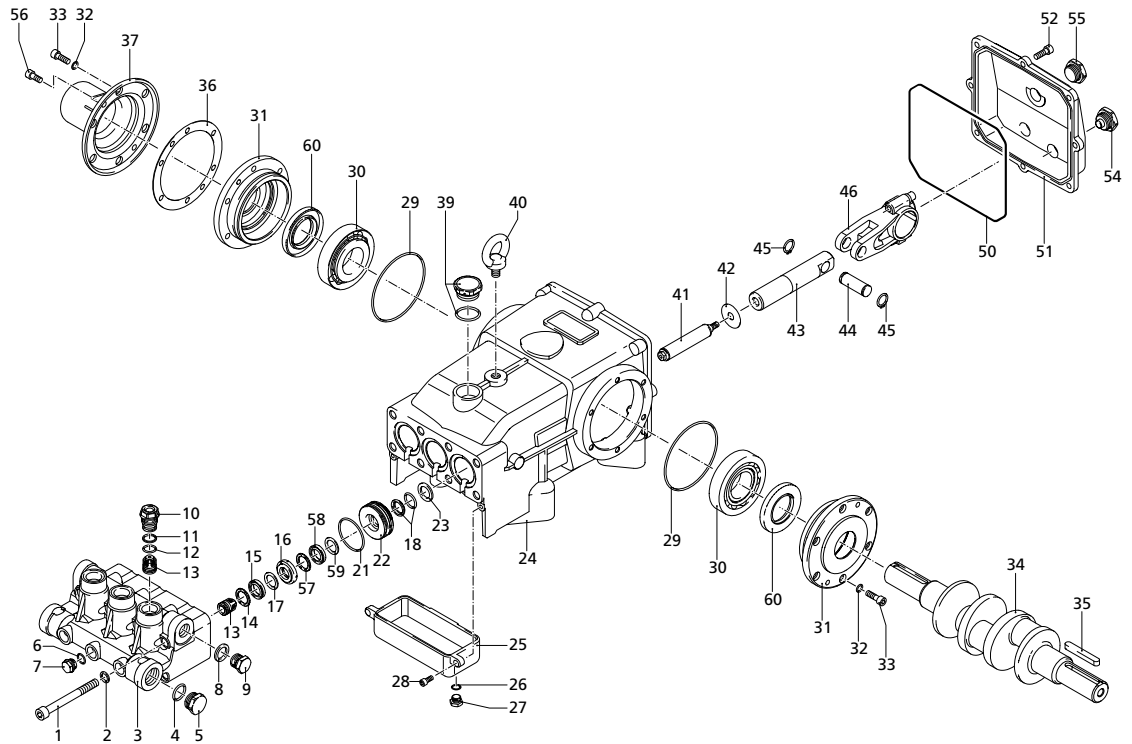
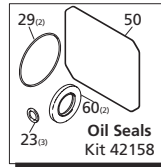
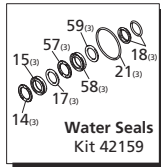


# RTP - 1000 RPM - N Version 35mm Shaft



## Repair Kits



Pos	Code	Description	Qty.	Pos	Code	Description	Qty.	
1	2820290	Screw	752 (in/lbs)	8	37	2820860	Cover	1
2	2820470	Washer	8	39	2820320	Plug	133 (in/lbs)	1
3	2820020	Pump head	1	40	2820330	Eyebolt	133 (in/lbs)	1
4	550350	O-Ring ø23.81x2.62	1	41	2820100	Piston	177 (in/lbs)	3
5	1140480	Plug	310 (in/lbs)	42	2820130	Spacer	3	3
6	740290	O-Ring ø14x1.78	1	43	2820850	Guiding piston	3	3
7	1981180	Plug	221 (in/lbs)	44	2820210	Con rod pin	3	3
8	1540120	Washer	1	45	2820240	Seeger	6	6
9	2820490	Plug	221 (in/lbs)	46	2820050	Con-rod	3	3
10	1941800	Plug	531 (in/lbs)	50	2820840	O-Ring ø221.92x2.62	1	1
11	1941070	Ring	3	51	2820030	Complete cover	1	1
12	880830	O-Ring ø15.54x2.62	3	52	540290	Screw M 8x25	221 (in/lbs)	8
13	2829050	Complete valve	6	54	2820310	Plug	89 (in/lbs)	1
14	2840410	Ring	3	55	2820300	Plug	89 (in/lbs)	1
15	2820400	Gasket	3	56	850250	Screw M 8x12	133 (in/lbs)	2
16	2820380	Piston guide	3	57	2820440	Ring	3	3
17	2820420	Ring	3	58	2820430	Gasket	3	3
18	2820460	Gasket	3	59	2820450	Piston guide	3	3
21	2820480	O-Ring ø52.07x2.62	3	60	2820350	Seal	2	2
22	2820390	Piston guide	3					
23	2820360	Gasket	3					
24	2820010	Pump housing	1					
25	2820060	Cover	1					
26	820510	O-Ring ø10.82x1.78	1					
27	880581	Plug	133 (in/lbs)					
28	1343020	Screw M 6x16	89 (in/lbs)					
29	651540	O-Ring ø107.62x2.62	2					
30	2820370	Bearing	2					
31	2820040	Cover	2					
32	1321850	Washer	12					
33	540290	Screw M 8x25	221 (in/lbs)					
34	2820340	Crankshaft 35mm	○ 1					
35	2820070	Crankshaft 35mm	□ 1					
36	2820280	Key 10x8x70	1					
	2820090	0.05mm shim	1					
	2820180	0.10mm shim	1					
	2820190	0.20mm shim	1					

OIL CAPACITY - 137 OZ



Legend  
 ø 20 For ○  
 For RTP30N  
 ø 20 For □  
 For RTP38N