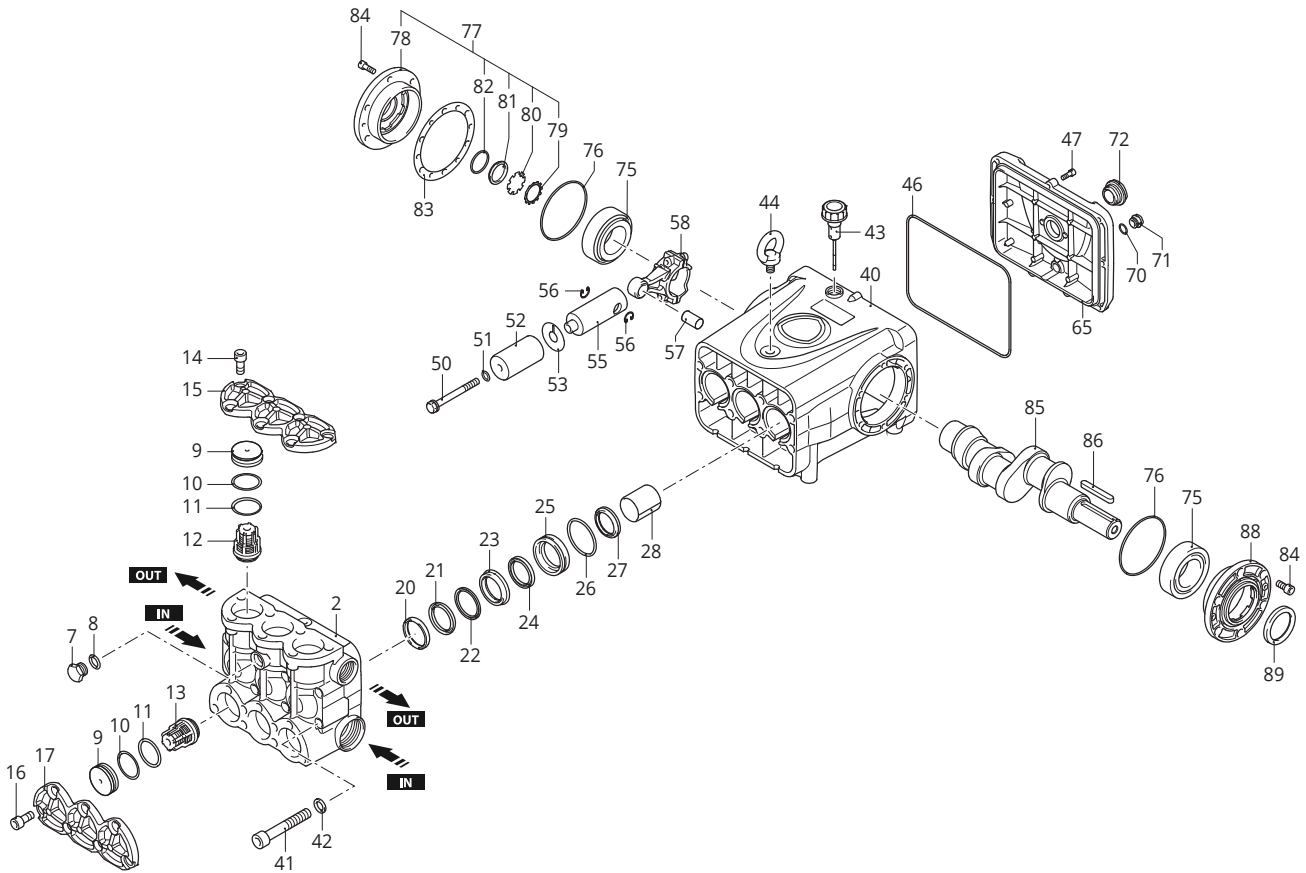
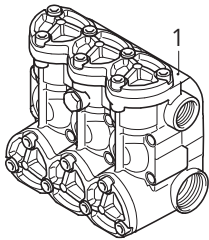


# RTD - 160.130N - RTD - 200.80N - 1000 RPM



## Complete Pump Head



# RTD160.130N - RTD200.80N - 1000 RPM Parts & Kits

Pos	Code	Description	Qty	Note
1	4189205	Head Assembly Ø40	1	○
	4189203	Head Assembly Ø44	1	■
2	4180020	Head	1	
7	820361	Plug 1/2" G Brass (354.03 in/lbs)	1	
8	180101	O-Ring Ø17.5x2	1	
9	4180510	Plug	6	
10	4180520	Ring Anti-Extrusion	6	
11	3680250	O-Ring Ø45.69x2.62	6	
12	4189051	Valve Outlet, Black Spring	3	
13	4189050	Valve Inlet, Silver Spring	3	
14	4180690	Bolt TCEI M12x25 (442.54 in/lbs)	7	
15	4180190	Valve Cover	1	
16	850330	Bolt TCEI M12x30 (752.31 in/lbs)	9	○
	4180690	Bolt TCEI M12x30 (442.54 in/lbs)	7	■
17	4180840	Valve Cover	1	○
	4180190	Valve Cover	1	■
20	4180390	Support Ring Ø40	3	○
	4180360	Support Ring Ø44	3	■
21	4180380	High Pressure Seal Ø40	3	○
	4180350	High Pressure Seal Ø44	3	■
22	4180400	Ring Anti-Extrusion	3	○
	4180370	Ring Anti-Extrusion	3	■
23	4180230	Front Piston Guide Ø40	3	○
	4180210	Front Piston Guide Ø44	3	■
24	2820710	Low Pressure Seal Ø40	3	○
	4180470	Low Pressure Seal Ø44	3	■
25	4180220	Rear Piston Guide Ø40	3	○
	4180200	Rear Piston Guide Ø44	3	■
26	1344070	O-Ring Ø60.05x1.78	3	
27	480671	Oil Seal	3	
28	4180500	Bushing	3	
40	4180010	Pump Body	1	
41	2820290	Head Bolt TCEI M12x110 (752.31 in/lbs)	8	
42	2820470	Washer	8	
43	3660350	Oil Cap (Vented Dipstick)	1	
44	2820330	Eyebolt (132.76 in/lbs)	1	
46	4180340	O-Ring Ø240x3	1	
47	780330	Bolt TCEI M6x20 (88.51 in/lbs)	9	
50	4180170	Bolt (265.52 in/lbs)	3	
51	2840890	O-Ring Ø14x2	3	
52	4180140	Piston Ø40	3	○
	4180130	Piston Ø44	3	■
53	4180180	Washer (Slinger)	3	
55	4180081	Piston Rod	3	
56	160691	Retainer Ring Ø18	6	
57	4180090	Connecting Rod Pin	3	
58	4180820	Connecting Rod Bronze	3	
65	4180030	Rear Cover	1	

Pos	Code	Description	Qty	Note
70	740290	O-Ring Ø14x1.78	1	
71	2282280	Plug w/Magnet (177.01 in/lbs)	1	
72	4180790	Oil Sight Glass (212.42 in/lbs)	1	
75	4180570	Bearing	2	
76	2640220	O-Ring Ø94.92x2.62	2	
77	4189000	Complete Side Cover	1	
78	4180050	Side Cover	1	
79	1941290	Retainer Ring	1	
80	1941260	Sight Glass Diffuser	1	
81	1941270	Oil Sight Glass	1	
82	100410	O-Ring Ø34.6x2.62	1	
83	4180260	Shim 0.05mm	1	
	4180270	Shim 0.10mm	1	
	4180280	Shim 0.19mm	1	
	4180290	Shim 0.25mm	1	
84	180030	Bolt TCEI M8x20 (216.8 in/lbs)	12	
85	4180060	Shaft 3 ID Stamp	1	○
	4180810	Shaft 1 ID Stamp	1	■
86	2820280	Key	1	
88	4180040	Side Cover	1	
89	4180300	Shaft Oil Seal	1	

AR645107 Oil (SAE30) (1.07 gal) - Capacity 110 oz, QTY 1  
 Pumps are Prefilled with Oil from the Factory.  
 Change oil every 3-5 months or every 500 hours of operation.  
 Tightening torque (Tolerance + 0 ÷ -10%)

LEGEND		
Symbol	Material	Description
○	-	RTD160.130N Ø40
■	-	RTD200.80N Ø44

Valve Kit 43614	
Pos.	Qty
12	3
13	3

Oil Seal Kit 43616	
Pos.	Qty
27	3
46	1
76	2
89	1

Piston Kit 43624 (Ø40) Kit 43615 (Ø44)	
Pos.	Qty
52	3

Piston Guide Kit 43628 (Ø40) Kit 463618 (Ø44)	
Pos.	Qty
23	3
25	3

Water Seal Kit 43626 (Ø40) Kit 43617 (Ø44)	
Pos.	Qty
20	3
21	3
22	3
24	3
26	3