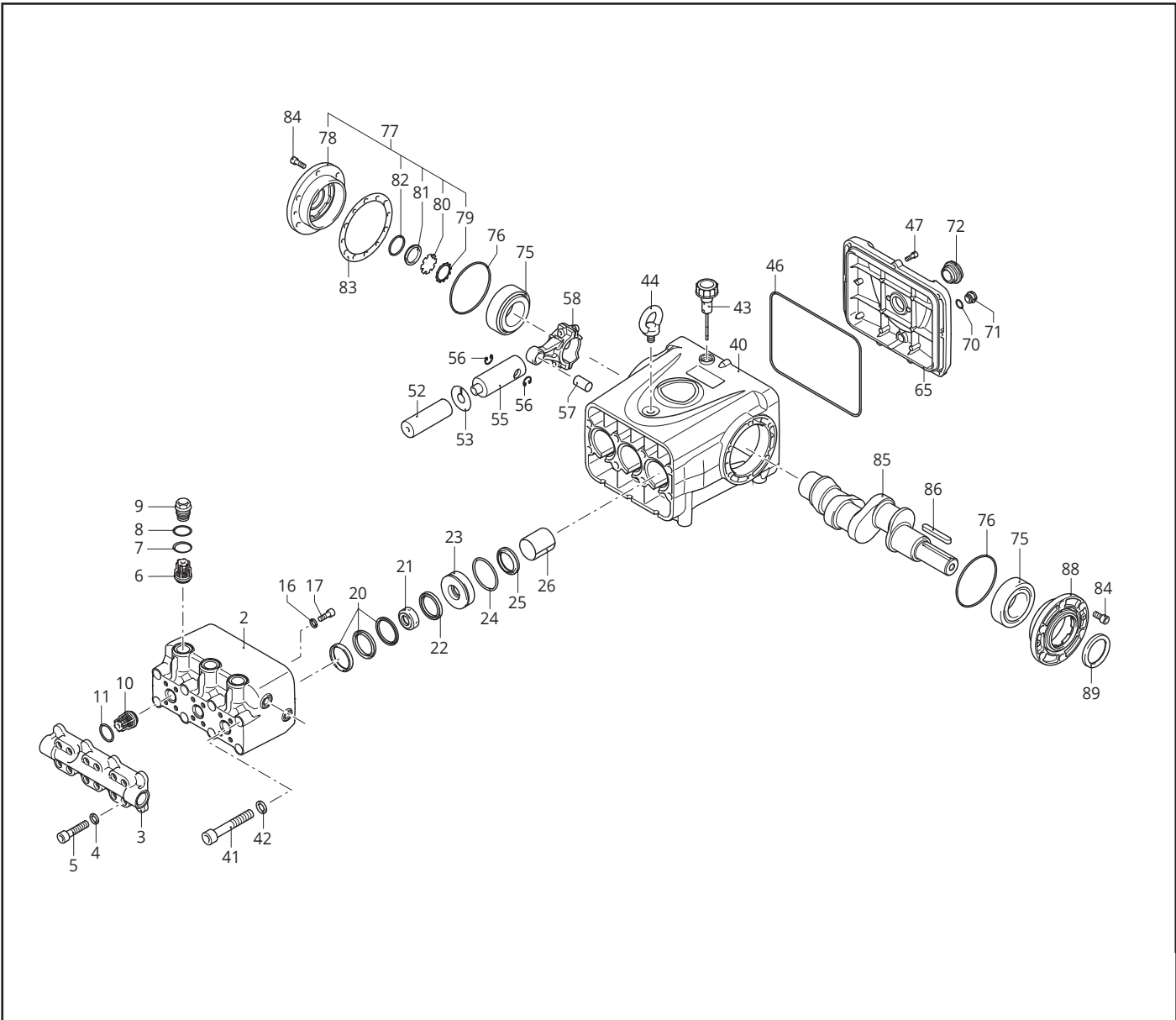
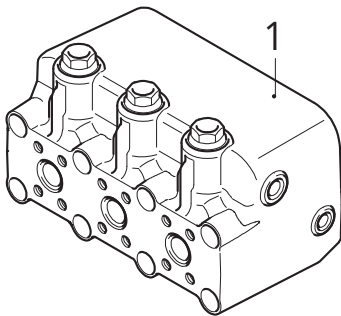


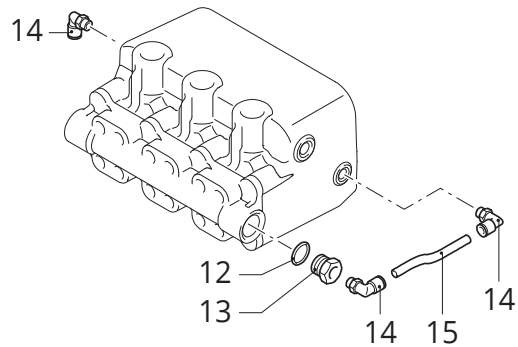
# RTD 38.600HN 1000 RPM - Schematic



**Complete Pump Head**



**Water Line**



# RTD38.600HN -1000 RPM- Parts and Kits

Pos	Code	Description	Qty	Note
1	4189224	Complete pump head Ø20, H	1	suction fitting not included
2	4182400	Blank Pump Head	1	
3	4182410	Suction Fitting	1	
4	1381850	Washer	12	
5	380410	Suction Fitting Bolt TCEI M8x40	12	
6	3669059	Outlet Valve	3	
7	880830	O-ring Ø15.54x2.62	3	
8	1941070	Fiber Ring	3	
9	1941800	Valve Cap H	3	(531.04 in/lbs)
10	3669058	Inlet Valve	3	
11	720030	O-ring Ø22.22x2.62	3	
12	550350	O-ring Ø23.81x2.62	1	
13	1943450	Plug 3/4" G	1	
14	4181920	Fitting	3	
15	4182000	Tube	1	
16	2820500	Sealing Washer	3	
17	850252	Bolt TCEI M8x12	3	(177.01 in/lbs)
20	2822630	High Pressure Water Seals Ø20	3	
21	4182251	Front Piston Guide Ø20	3	
22	3660430	Low Pressure Water Seals Ø20	3	
23	4180320	Rear Piston Guide Ø20	3	
24	1344070	O-ring Ø60.05x1.78	3	
25	480671	Oil Seal	3	
26	4180500	Bushing	3	
40	4180010	Pump body	1	
41	4181821	Head bolt TCEI M12x150	8	
42	2820470	Washer	8	
43	3660350	Oil Cap (vented dipstic)	1	
44	2820330	Eyebolt	1	(132.76 in/lbs)
46	4180340	O-Ring Ø240x3	1	
47	780330	Bolt TCEI M6x20	9	(88.51 in/lbs)
52	2821910	Piston Ø20	3	(88.51 in/lbs)
53	4181310	Washer (slinger)	3	
55	4181321	Piston Rod	3	
56	160691	Retainer Ring Øi 18	9	
57	4180090	Connecting Rod Pin	3	
58	4180820	Connecting Rod bronze	3	
65	4180030	Rear Cover	1	
70	740290	O-ring Ø14x1.78	1	
71	2282280	Plug with magnet	1	(177.01 in/lbs)
72	4180790	Oil Sight Glass	1	(212.42 in/lbs)
75	4180570	Bearing	2	
76	2640220	O-ring Ø94.92x2.62	2	
77	4189000	Complete side Cover	1	
78	4180050	Side Cover	1	
79	1941290	Retainer Ring	1	
80	1941260	Sight Glass Diffuser	1	
81	1941270	Oil Sight Glass	1	
82	100410	O-ring Ø34.6x2.62	1	

Pos	Code	Description	Qty	Note
83	4180260	Shim 0.05mm	1-3	
	4180270	Shim 0.10mm	1-3	
	4180280	Shim 0.19mm	1-3	
	4180290	Shim 0.25mm	1-3	
84	180030	Bolt TCEI M8x20	12	(216 in/lbs)
85	4180060	Shaft 3 ID Stamp	1	
86	2820280	Key	1	
88	4180040	Side Cover	1	
89	4180300	Shaft Oil Seal	1	

Pump Oil Part Number: AR645107 (SAE30) (1.07 gal)  
 Pump Oil Capacity 110 oz, QTY 1  
 Pumps are Prefilled with Oil from the Factory.  
 Change oil every 3-5 months or every 500 hours of operation.  
 H = Nickel Plated  
 Tightening torque (Tolerance + 0 ÷ -10%)



Valve Kit 47502	
Pos.	Qty
6	3
10	3

Oil Seal Kit 43616	
Pos.	Qty
25	3
46	1
76	2
89	1

Piston Kit 42157	
Pos.	Qty
52	3

Piston Guide Kit 47504	
Pos.	Qty
21	3
23	3

Water Seal Kit 47503	
Pos.	Qty
20	3
22	3
24	3