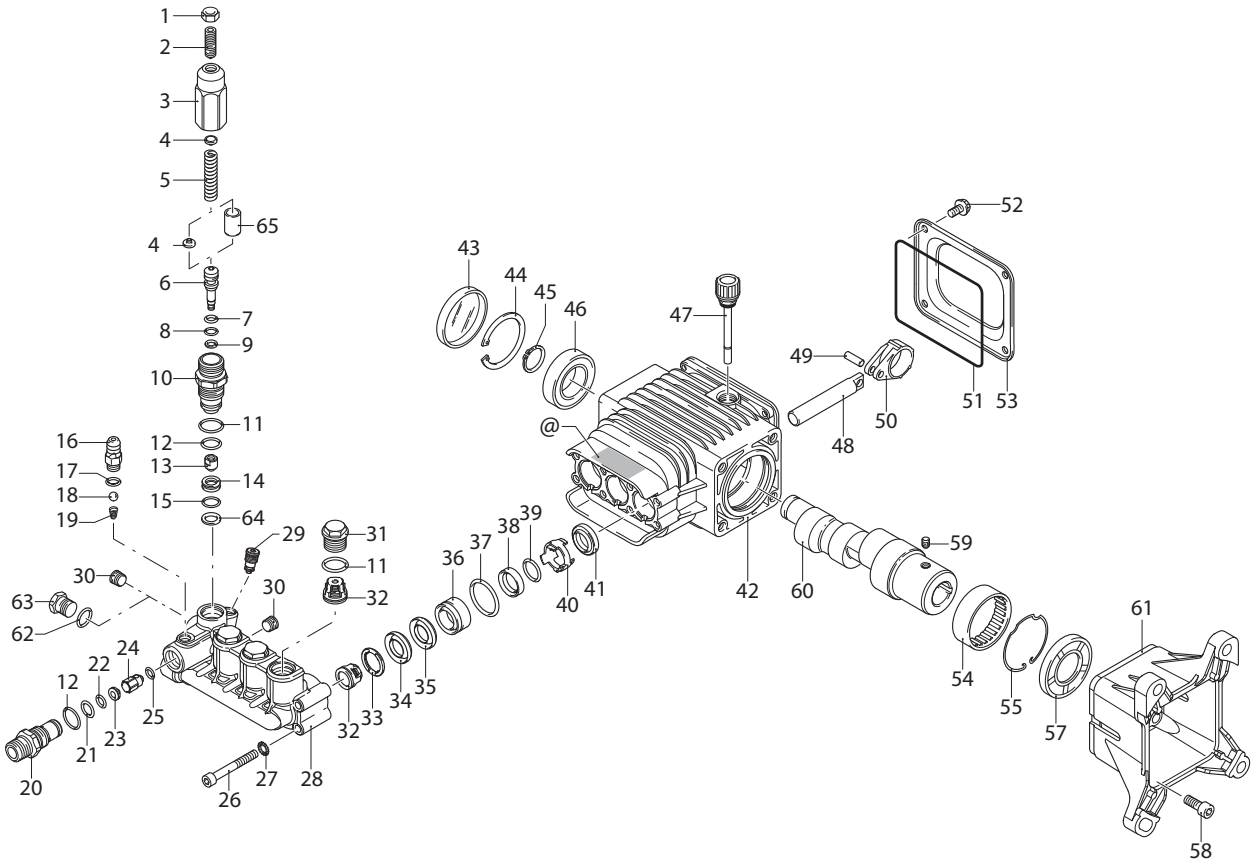
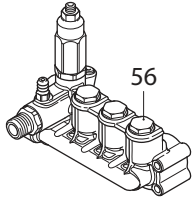


RSV - 3400 RPM - 1" Shaft Schematic



Complete Pump Head



RSV - 3400 RPM 1" Shaft - Parts and Kits

Pos	Code	Description	Qty	Note
1	1060120	Unloader Nut M6	1	
2	392840	Set Screw M6x16	1	
3	2760480	Unloader Barrel	1	
4	1980220	Spring Plate	2	
5	2760410	Unloader Spring	1	
6	2760400	Unloader Piston	1	
7	2260100	O-Ring Ø6.02x2.62	1	
8	660190	O-Ring Ø6.07x1.78	1	
9	2760210	Fiber Ring	1	
10	2760050	Unloader Piston Guide (309 in/lbs)	1	○ □
	2760960	Unloader Piston Guide (309 in/lbs)	1	▽ ■ ●
11	1200690	O-Ring Ø15.6x1.78	4	
12	394280	O-Ring Ø12.42x1.78	2	
13	2761290	Unloader Jet (18 in/lbs)	1	
14	2760980	Unloader Seat	1	
15	770140	O-Ring Ø11.11x1.78	1	
16	1982520	Hose Barb Ø8 (35 in/lbs)	1	
17	480480	O-Ring Ø4.48x1.78	1	
18	1250280	Ball	1	
19	1560520	Spring	1	
20	2760230	Discharge Fitting 3/8" G (354 in/lbs)	1	
21	2760270	O-Ring Ø12x1	1	
22	1470210	O-Ring Ø9x1	1	
23	2760120	Orifice Ø2.0	1	
24	2760130	Jet	1	
25	2101770	O-Ring Ø4x2.5	1	
26	801080	Head Bolt M6x16 (92 in/lbs)	8	
27	1381550	Lock Washer	8	
28	2761050	Blank Head EZ-start	1	
	2760330	Blank Head w/o EZ-start	1	
29	42304	EZ Start Assembly	1	
30	2760260	Plug 1/4" G	2	
31	2761450	Valve Cap w/notches (442 in/lbs)	3	
32	2769054	Complete Valve Use w/valve caps w/notches	6	
33	2760220	Support Ring 15mm	3	
34	1342761	High Pressure Seal	3	
35	1981580	Support Ring	3	
36	1981570	Piston Guide	3	
37	770260	O-Ring Ø23.52x1.78	3	
38	1260440	Low Pressure Seal	3	
39	640070	O-Ring Ø13.95x2.62	3	
40	2760310	Spacer	3	
41	1260460	Oil Seal	3	
42	2760010	Pump Body	1	
43	1266740	Bearing Cap	1	
44	1260790	Retainer Ring Øi 52	1	
45	1780550	Retainer Ring Øe 20	1	
46	1780490	Bearing	1	
47	880130	Oil Cap (Vented Dipstick)	1	
48	2760040	Piston Ceramic Coated	3	
49	1780050	Connecting Rod Pin	3	
50	1780040	Connecting Rod Alum.	3	○ □
	1780710	Connecting Rod Bronze	3	▽ ■ ●
51	2760281	O-Ring Ø101.27x2.62	1	

Pos	Code	Description	Qty	Note
52	802190	Bolt 6x12 (212 in/lbs)	4	
53	2760110	Rear Cover	1	
54	1321190	Bearing	1	
55	1321080	Retainer Ring	1	
56	42546	Complete Pump Head w/o EZ-start	1	○ □
	42527	Complete Pump Head EZ-start	1	▽ ■ ●
57	480671	Shaft Oil Seal	1	
58	180030	Bolt TCEI M8x20 (217 in/lbs)	4	
59	820440	Set Screw M6x6	1	
60	1780340	Hollow Shaft Ø1", 9 ID Stamp	1	○ ●
	1780330	Hollow Shaft Ø1", 7 ID Stamp	1	□ ■
	1780920	Hollow Shaft Ø1", 8 ID Stamp	1	▽
61	2760290	Flange F40	1	
62	820510	O-Ring Ø10.82x1.78	1	
63	880581	Plug 1/4" G	1	
64	2760640	Fiber Ring	1	
65	2760970	Bushing Only used in 42369	1	

1" Shaft
AR64516 Oil - Capacity 12 oz, QTY 1
Prefilled with Oil from the Factory.
Change oil every 3-5 months or every 500 hours of operation.
Tightening torque (Tolerance + 0 ÷ -10%)

OPTIONAL PARTS/KITS

Pos	Code	Description	Qty	Note
	2280	Unloader Kit up to 3200 PSI w/o knob w/seat	1	Pos 1, 2, 3, 4, 5, 6, 7, 8, 9, 10, 11, 12, 13, 14, 15, 16
	42369	Unloader Kit above 3200 PSI w/o knob w/seat	1	Pos 1, 2, 3, 65, 5, 6, 7, 8, 9, 10, 11, 12, 13, 14, 15, 16
	42128	Unloader Kit above 3200 PSI w/knob w/o seat	1	Pos 1, 2, 3, 4, 5, 6, 7, 8, 9, 10, 11, 12, 13
	42129	Unloader Seat for 42128 Order w/42128	1	Pos 14, 15, 16
	42666	Valve Kit Use w/Valve Cap w/notches	1	Pos 32
	2841240	Drain Plug Plastic	1	
	1989600	Drain Plug 3/8" G, Brass w/O-ring	1	
	740290	O-Ring Ø14x1.78	1	For Drain Plug
	2190	O-Ring Kit	1	Pos 7, 8, 9, 11, 12, 15, 17, 21, 22, 25, 62, 64
	2191	Support Ring Kit	1	Pos 33
	42528	Assembly Kit	1	Pos 12, 20, 21, 22, 23
	1981780	Unloader Knob	1	
	1981770	Unloader Knob Cap	1	
	42125	Chemical Injector w/o Hose Barb	1	Pos 17, 18, 19
	TPP140-1/4A	Thermal Relief Valve 1/4" Alum. w/Cap	1	

LEGEND

Symbol	Material	Description
▽	-	RSV3.5G35, RSV3.5G40 Ø 15
○	-	RSV3G30 Ø 15
●	-	RSV3G35 Ø 15
□	-	RSV4G30 Ø 15
■	-	RSV4G35, RSV4G40 Ø 15

Valve & Valve Cap Kit 42762	
Pos.	Qty
11	3
31	3
32	6

Piston Kit 2187	
Pos.	Qty
48	3

Water Seal Kit 2189	
Pos.	Qty
34	3
35	3
37	3
38	3
39	3

Oil Seal Kit 2188	
Pos.	Qty
41	3
43	1
51	1
57	1

