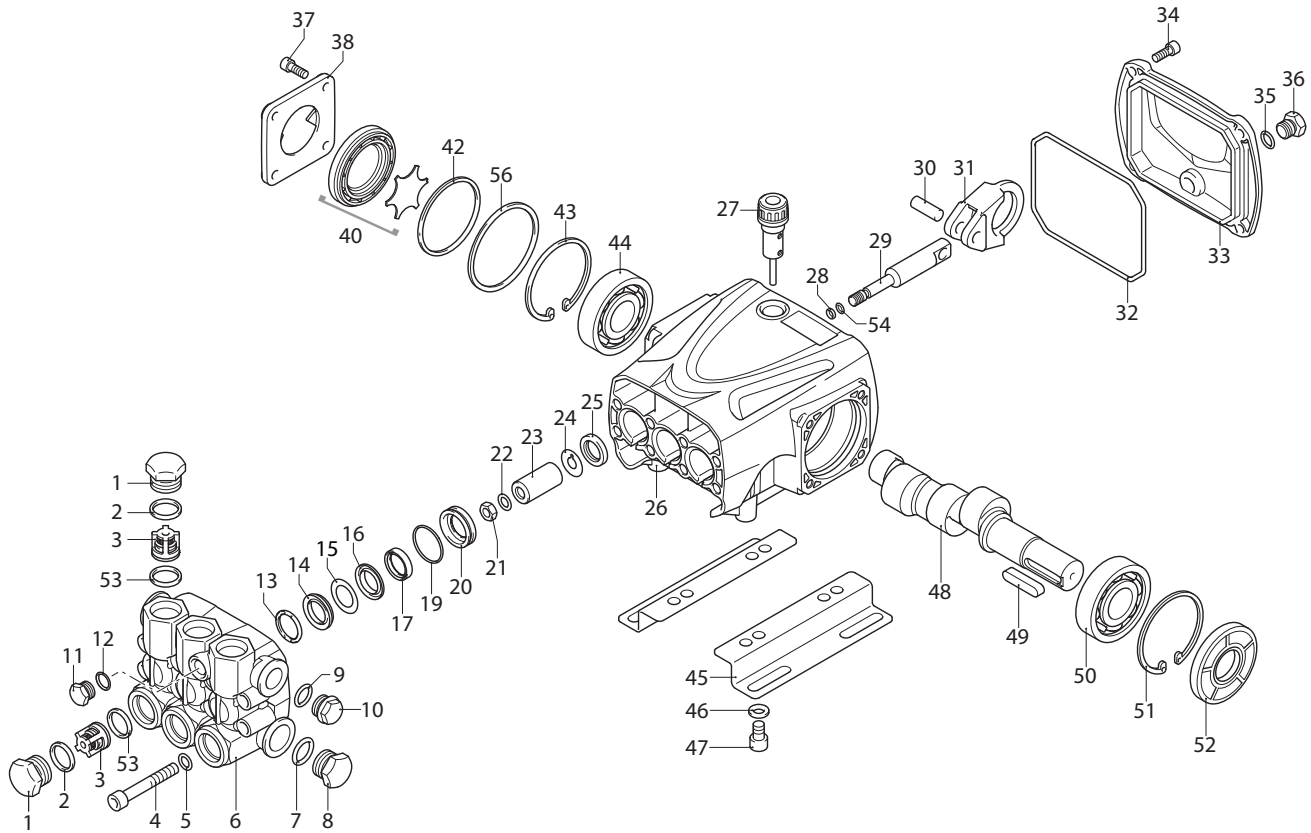
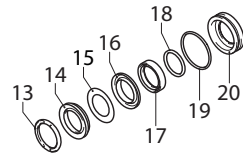
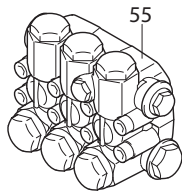


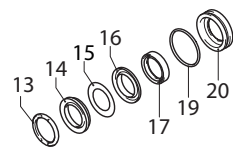
# RR - 1450 RPM - RRA 1750 RPM Solid Shaft



## Complete Pump Head



## Water Seals and Piston Guides BEFORE MAY 2022



## Water Seals and Piston Guides AFTER MAY 2022

# RR - 1450 RPM - RRA 1750 RPM Parts & Kits

Pos	Code	Description	Qty	Note
1	960090	Valve Cap Brass (478 in/lbs)	6	
2	960160	O-Ring Ø 17.86x2.62	6	
3	1389051	Complete Valve	6	
4	800860	Head Bolt M 8x55 (225 in/lbs)	8	
5	1381850	Lock Washer	8	
6	3220020	Blank Head	1	
7	180101	O-Ring Ø 17.5x2	1	
8	820361	Plug 1/2" G, Brass (354 in/lbs)	1	
9	740290	O-Ring Ø 14x1.78	1	
10	1989600	Plug 3/8" G Brass, w/O-ring (221 in/lbs)	1	
11	880581	Plug 1/4" G (133 in/lbs)	1	
12	820510	O-Ring Ø 10.82x1.78	1	
13	1780140	Support Ring Ø 18	3	
14	1780720	High Pressure Seal	3	
15	3200250	Ring	3	
16	3220130	Front Piston guide	3	
17	3200142	Low Pressure Seal	3	
18	3200260	Fiber Ring	3	
19	770260	O-Ring Ø 7.66x1.78	3	
20	3220120	Rear Piston Guide	3	BEFORE MAY 2022
	3221030	Rear Piston Guide	3	AFTER MAY 2022
21	1260110	Nut M8 (106 in/lbs)	3	
22	1260100	Washer 8x13x0.50	3	
23	1780080	Piston Ø 18	3	
24	1260091	Washer	3	
25	1260460	Oil Seal	3	
26	3220010	Pump Body	1	
27	880130	Oil Cap (Vented Dipstick)	1	
28	480480	O-Ring Ø 4.48x1.78	3	
29	3220060	Piston Rod	3	
30	3220070	Connecting Rod Pin	3	
31	3220040	Connecting Rod Alum.	3	
32	651540	O-Ring Ø 107.62x2.62	1	
33	3220030	Rear Cover	1	
34	3200220	Bolt TCEI 6x16 (71 in/lbs)	4	
35	820510	O-Ring Ø 10.82x1.78	1	
36	880581	Plug 1/4" G (133 in/lbs)	1	
37	1200430	Bolt M6x16 (92 in/lbs)	4	
38	3200070	Side Cover	1	
40	3229603	Oil Indicator	1	
42	650560	O-Ring Ø 56.82x2.62	1	
43	200390	Retainer Ring Ø i 62	1	
44	1981210	Bearing	1	
45	3200210	Rail	2	
46	1322640	Washer	4	

Pos	Code	Description	Qty	Note
47	850250	Bolt M8x18 (225 in/lbs)	4	○
	3220050	Solid Shaft 1 ID Stamp	1	●
48	3220330	Solid Shaft 4 ID Stamp	1	■
	3220360	Solid Shaft 3 ID Stamp	1	
49	3200230	Key	1	
50	1981210	Bearing	1	
51	200390	Retainer Ring Ø i 62	1	
52	3220280	Shaft Seal	1	
53	880830	O-Ring Ø 15.54x2.62	6	
54	1080550	Fiber Ring	3	
55	42714	Complete Pump Head	1	
56	3220780	Washer Ø 61.8x0.5	1	

AR64516 Oil (16 oz) - Capacity 13.35 oz, QTY 1  
Pumps are Prefilled with Oil from the Factory.  
Change oil every 3-5 months or every 500 hours of operation.  
Tightening torque (Tolerance + 0 - -10%)

OPTIONAL PARTS/KITS				
Pos	Code	Description	Qty	Note
1	960850	Valve Cap SST (478 in/lbs)	6	
1	960090T	Tapped Valve Cap Threaded 1/4" brass (478 in/lbs)	1	
1	960850T	Tapped Valve Cap Threaded 1/4" SST (478 in/lbs)	1	
1	43192	Hot Water Seal Kit	1	
	2745	Support Ring Kit	1	Pos 13
	42550	O-Ring Kit	1	Pos 2,7,9,19,28,32,35,42

LEGEND		
Symbol	Material	Description
○	-	RR18.16N, RRA5.5G30N
●	-	RRA3.5G30N
■	-	RR15.20N, RRA4G30N

Valve Kit 2864	
Pos.	Qty
3	6
53	6

Piston Kit 2746	
Pos.	Qty
23	3

Oil Seal Kit 2787	
Pos.	Qty
25	3
52	1

Water Seal Kit 42549 Before May 2022	
Pos.	Qty
14	3
15	3
17	3
18	3
19	3

Water Seal Kit 47110 After May 2022	
Pos.	Qty
14	3
15	3
17	3
19	3

Piston Guide Kit 42548 Before May 2022	
Pos.	Qty
16	3
20	3

Piston Guide Kit 47109 After May 2022	
Pos.	Qty
16	3
20	3