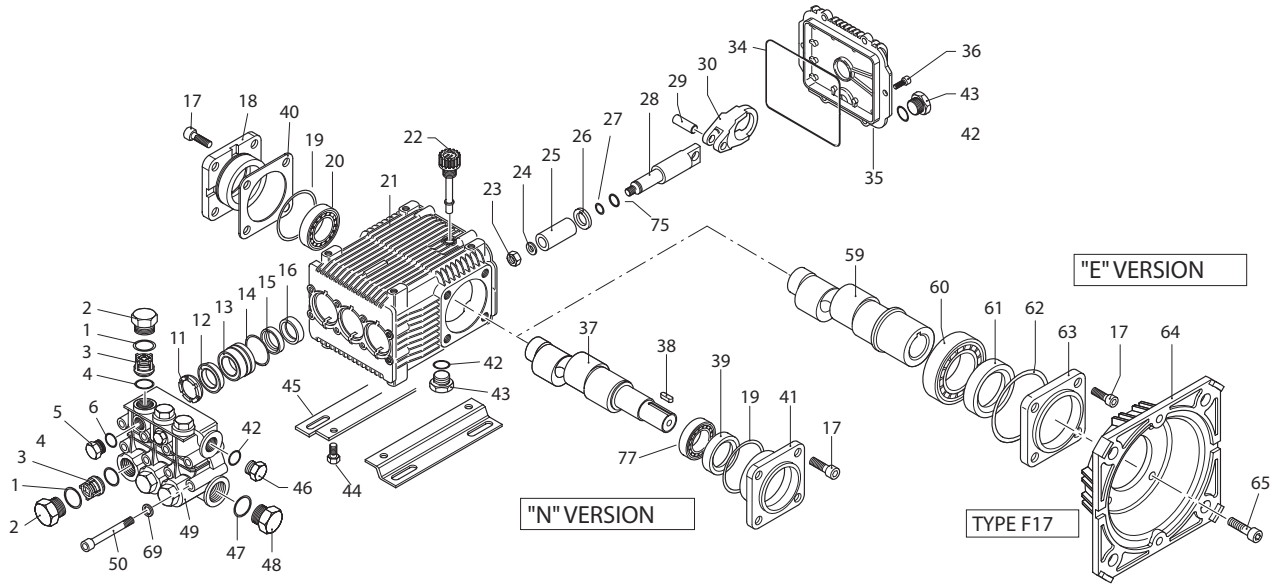


RKA - 1750 RPM



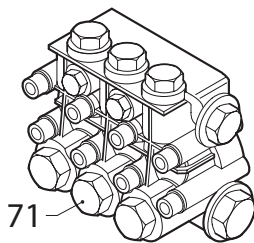
Valve Kit 2864	
Pos.	Qty
3	6
4	6

Piston Kit 2546 (Ø 18) Kit 2547 (Ø 20) Kit 2759 (Ø 22)	
Pos.	Qty
23	3
24	3
25	3
26	3
27	3
31	3

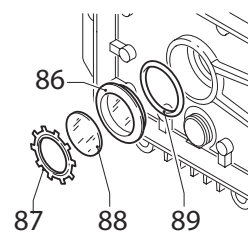
Oil Seal Kit 1855 (N) Kit 1856 (E)	
Pos.	Qty
16	3
19	2
34	1
61 (E)	1
62 (E)	1
39 (N)	1

Water Seal Kit 1857 (Ø 18) Kit 1887 (Ø 20) Kit 1888 (Ø 22)	
Pos.	Qty
12	3
14	3
15	3

Complete Pump Head



Rear Sight Glass



RKA - 1750 RPM - Parts & Kits

Pos	Code	Description	Qty	Note
1	960160	O-Ring	Ø 17.86x2.62	6
	960090	Valve Cap	Brass (478 in/lbs)	6
2	960850	Valve Cap	SS (478 in/lbs)	6 ★
	1380740	Valve Cap	H (478 in/lbs)	6
3	1389051	Complete Valve		6
4	880830	O-Ring	Ø 15.54x2.62	6
	880581	Plug	Brass 1/4" G	2
	1380690	Plug	H 1/4" G	2 ★
6	820510	O-Ring	Ø 10.82x1.78	2
	960110	Support Ring	Ø 18	3
11	840300	Support Ring	Ø 20	3
	840320	Support Ring	Ø 22	3
	1382740	High Pressure Packing	Ø 18	3
	840290	High Pressure Packing	Ø 20	3
	840330	High Pressure Packing	Ø 22	3
	1380090	Piston Guide	Ø 18	3
13	1380150	Piston Guide	Ø 20	3
	1380160	Piston Guide	Ø 22	3
14	961240	O-Ring	Ø 31.47x1.78	3
	880330	Low Pressure Seal	Ø 18	3
15	840280	Low Pressure Seal	Ø 20	3
	840340	Low Pressure Seal	Ø 22	3
16	880520	Oil Seal		3
17	850370	Bolt	M8x16 (217 in/lbs)	8
18	1380050	Closed Bearing Support		1
19	640030	O-Ring	Ø 59.99x2.62	2
20	2280340	Bearing		1
21	1382770	Pump Housing		1
22	880130	Oil Cap (Vented Dipstick)		1
23	962010	Nut	M8 (106in/lbs)	3
24	962000	Washer	Ø 8.1	3
	1380940	Ceramic Piston	Ø 18	3
25	1380930	Ceramic Piston	Ø 20	3
	1382360	Ceramic Piston	Ø 22	3
26	1380950	Washer	(slinger)	3
27	600180	O-Ring	Ø 7.66x1.78	3
28	1380920	Piston Rod		3
29	1380060	Connecting Rod Pin		3
30	1383020	Connecting Rod	Bronze > 3000 PSI	3
	1383050	Connecting Rod	Alum. < 3000 PSI	3
34	1780510	O-Ring	Ø 106x3	1
35	1789010	Rear Cover		1
36	1343510	Bolt	M6x14 (89 in/lbs)	6
	2280100	Solid Shaft	24mm, 5 ID Stamp	1 ○
	2280090	Solid Shaft	24mm, 4 ID Stamp	1 ●
37	2280070	Solid Shaft	24mm, 2 ID Stamp	1 □
	2280060	Solid Shaft	24mm, 1 ID Stamp	1 ☒
	2280110	Solid Shaft	24mm - NL	1 ▼
38	1380520	Key	(N Version only)	1
39	180340	Shaft Oil Seal	(N Version only)	1
	1380120	Shim	0.10 mm	1-3
	1380130	Shim	0.20 mm	1-3
	1380530	Shim	0.25 mm	1-3
	1382810	Shim	0.05 mm	1-3
41	1380040	Open Bearing Support	(217 in/lbs)	1
42	740290	O-Ring	Ø 14x1.78	3
43	1989600	Plug	3/8" G Brass, w/O-ring	2
44	1260470	Bolt	M8x10	4
	1380141	Rail	5/8"	2
45	Z-Bracket-1 3/4	Rail	1-3/4"	2
	Z-Bracket	Rail		2
46	1989600	Plug	3/8" G Brass, w/O-ring	1
	1981180	Plug	3/8" G, H	1 ★
47	180101	O-Ring	Ø 17.5x2	1
	180101	Plug		1
48	960870	Plug	1/2" G, H	1 ★
	1381071	Blank Pump Head	Brass Ø 18	1
	1381070	Blank Pump Head	H Ø 18	1 ★
	1380020	Blank Pump Head	Brass Ø 20	1
	1380680	Blank Pump Head	H Ø 20	1
	1383010	Blank Pump Head	Brass Ø 22	1
	1383310	Blank Pump Head	H Ø 22	1

Pos	Code	Description	Qty	Note
50	820150	Head Bolt	M8x70 (217 in/lbs)	8
	2280260	Hollow Shaft	Ø 1-1/8", 5 ID Stamp	1 ○
59	2280200	Hollow Shaft	Ø 1-1/8", 4 ID Stamp	1 ● ▼
	2280270	Hollow Shaft	Ø 1-1/8", 2 ID Stamp	1 □ ☒
	2280280	Hollow Shaft	Ø 1-1/8", 1 ID Stamp	1 ☒
60	1380320	Bearing		1
61	621170	Shaft Oil Seal		1
62	1380220	O-Ring	Ø 72.75x1.78	1
63	1380210	Side Cover		1
64	1591	F17 Flange	Electric Motor	1
65	620610	Bolt	M8x30	4
69	1381850	Lock Washer		8
	1389270	Complete Pump Head	Brass Ø 18	1
	1389272	Complete Pump Head	H Ø 18	1
	1389271	Complete Pump Head	H Ø 18	1 ★
	1389208	Complete Pump Head	Brass Ø 20	1
	1389212	Complete Pump Head	H Ø 20	1
	1389268	Complete Pump Head	Brass Ø 22	1
	1389269	Complete Pump Head	H Ø 22	1
75	1080401	Fiber Ring		3
77	840370	Bearing		1
86	1260250	Oil Sight Glass		1
87	1260430	Retainer Ring		1
88	1780690	Sight Glass Diffuser		1
89	1140450	O-Ring	Ø 20.24x2.62	1

AR64516 Oil (16 oz) - Capacity 15 oz, QTY 1
Pumps are Prefilled with Oil from the Factory.
Change oil every 3-5 months or every 500 hours of operation.
H = Nickel Plated
SS = Stainless Steel
Tightening torque (Tolerance + 0 ÷ -10%)

OPTIONAL PARTS/KITS				
Pos	Code	Description	Qty	Note
	2809	Viton Water Seals Kit	Ø 18	1
	2810	Viton Water Seals Kit	Ø 20	1
	2811	Viton Water Seals Kit	Ø 22	1
	42213	Water Seal Kit for up to 180° F	Ø 18 High Temp	1
	2820	Water Seal Kit for up to 180° F	Ø 20 High Temp	1
	2729	Rail Kit 5/8"	2 Rails & 4 Bolts (N only)	1 Pos 44, 45
	2633	Rail Kit 1-3/4"	2 Rails & 4 Bolts (N only)	1 Pos 44, 45
	2633H	Rail Kit 2-5/8"	2 Rails & 4 Bolts (N only)	1 Pos 44, 45
	42149	Single Cylinder Piston Kit	Ø 18	1 Pos 23, 24, 25, 26, 27, 31
	960090T	Tapped Valve Cap	Threaded 1/4" brass (478 in/lbs)	1
2	960850T	Tapped Valve Cap	Threaded 1/4" SST (478 in/lbs)	1
2	2289010	Side Cover w/Site Glass		1
	1829	Support Ring Kit	Ø 18	1 Pos 11
	1815	Support Ring Kit	Ø 20	1 Pos 11
	1816	Support Ring Kit	Ø 22	1 Pos 11

LEGEND			
Symbol	Material	Description	
▼	-	RKA4G35NL	Ø 18
○	-	RKA3.5G22, RKA3.5G25, RKA3.5G30H, RKA3.5G40H	Ø 18
●	-	RKA4G20, RKA4G30A, RKA4G30, RKA4G30H, RKA4G35H, RKA4G40H	Ø 18 ★
□	-	RKA4.5G17, RKA4.5G25H, RKA4.5G30H ★ RKA4.5G35H, RKA4.5G40H	Ø 18 ★
■	-	RKA5.5G13, RKA5.5G20H, RKA5.5G26H, RKA5.5G30H	Ø 20
☒	-	RKA6.5G13, RKA6.5G20H	Ø 22
☒	-	RKA7G13, RKA7G20H	Ø 22
★	-	Over 3600 PSI	