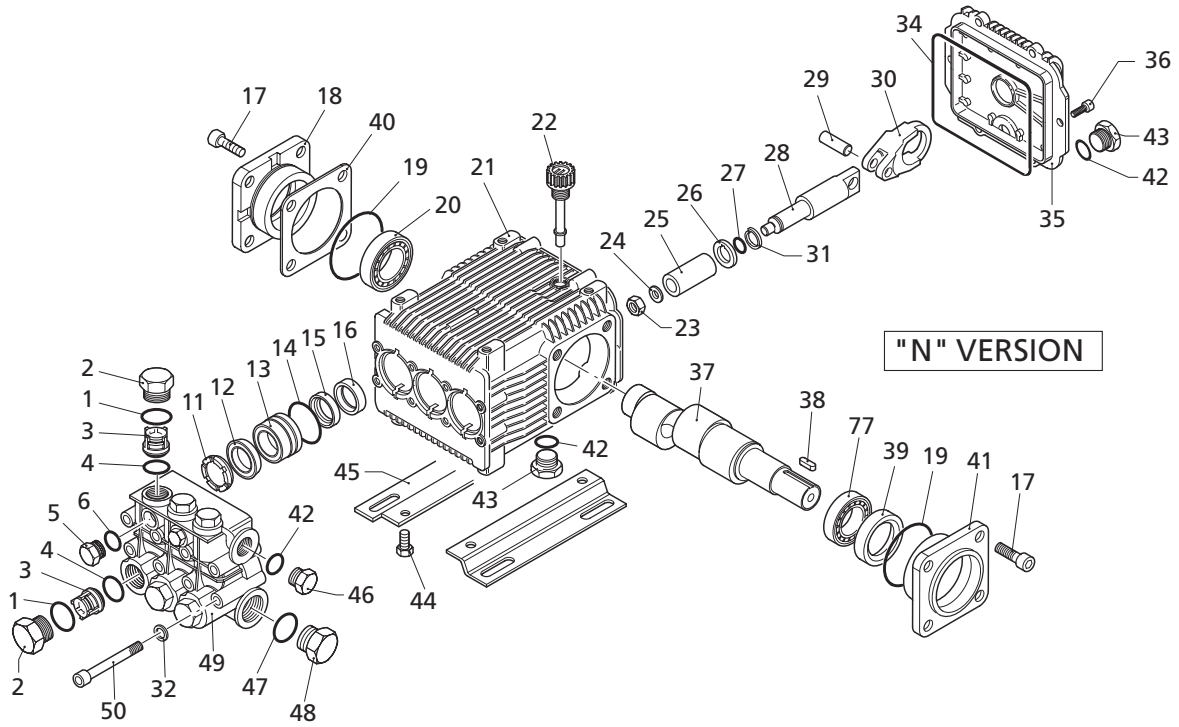
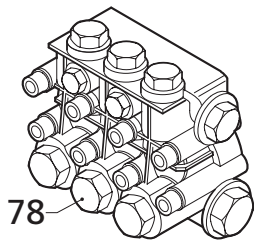


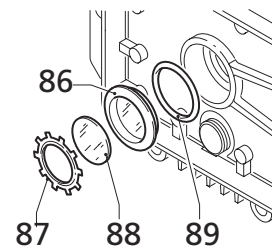
RK - 1450 RPM



Complete Pump Head



Rear Sight Glass



RK 1450 RPM - Parts & Kits

Pos	Code	Description	Qty	Note
1	960160	O-Ring	Ø 17.86x2.62	6
	960090	Valve Cap	Brass (478 in/lbs)	6
2	960850	Valve Cap	SS (478 in/lbs)	6
	1380740	Valve Cap	H (478 in/lbs)	6
3	1389051	Complete Valve		6
4	880830	O-Ring	Ø 15.54x2.62	6
	880581	Plug	1/4" G- Brass	2
	1380690	Plug	1/4" G, H	2
6	820510	O-Ring	Ø 10.82x1.78	2
	960110	Support Ring	Ø 18	3
11	840300	Support Ring	Ø 20	3
	840320	Support Ring	Ø 22	3
	1382740	High Pressure Packing	Ø 18	3
	840290	High Pressure Packing	Ø 20	3
	840330	High Pressure Packing	Ø 22	3
	1380090	Piston Guide	Ø 18	3
13	1380150	Piston Guide	Ø 20	3
	1380160	Piston Guide	Ø 22	3
14	961240	O-Ring	Ø 31.47x1.78	3
	880330	Low Pressure Seal	Ø 18	3
15	840280	Low Pressure Seal	Ø 20	3
	840340	Low Pressure Seal	Ø 22	3
16	880520	Oil seal		3
17	850370	Bolt	M8x16 (217 in/lbs)	3
18	1380050	Closed Bearing Support		1
19	640030	O-Ring	Ø 59.99x2.62	2
20	2280340	Bearing		1
21	1382770	Pump Housing		1
22	880130	Oil cap. (Vented Dipstick)		1
23	962010	Nut	M8 (106 in/lbs)	3
24	962000	Washer	Ø 8.1	3
	1380940	Ceramic Piston	Ø 18	3
	1380930	Ceramic Piston	Ø 20	3
25	1382360	Ceramic Piston	Ø 22	3
26	1380950	Washer	(slinger)	3
27	600180	O-Ring	Ø 7.66x1.78	3
28	1380920	Piston Rod		3
29	1380060	Connecting Rod Pin		3
30	1383020	Connecting Rod	Bronze > 3000 PSI	3
	1383050	Connecting Rod	Alum. < 3000 PSI	3
31	1080401	Fiber Ring		3
32	1381850	Lock Washer		8
34	1780510	O-Ring	Ø 106x3	1
35	1789010	Rear Cover		1
36	1343510	Bolt	M6x14 (89 in/lbs)	6
	2280070	Solid Shaft	24mm, 2 ID Stamp	1
37	2280060	Solid Shaft	24mm, 1 ID Stamp	1
	2283040	Solid Shaft	24mm, NL	1
38	1380520	Key		1
39	180340	Shaft Oil Seal		1
	1380120	Shim 0.10 mm		1-3
	1380130	Shim 0.20 mm		1-3
	1380530	Shim 0.25 mm		1-3
	1382810	Shim 0.05 mm		1-3
41	1380040	Open Bearing Support (217 in/lbs)		1
42	740290	O-Ring	Ø 14x1.78	3
43	1989600	Plug	3/8" G Brass, w/O-ring	2
44	1260470	Bolt	M8x10	4

Valve Kit 2864	
Pos.	Qty
3	6
4	6

Piston Kit 2546 (Ø 18) Kit 2547 (Ø 20) Kit 2759 (Ø 22)	
Pos.	Qty
23	3
24	3
25	3
26	3
27	3
31	3

Water Seal Kit 1857 (Ø 18) Kit 1887 (Ø 20) Kit 1888 (Ø 22)	
Pos.	Qty
12	3
14	3
15	3

Oil Seal Kit 1855	
Pos.	Qty
16	3
19	2
34	1
39	1

Pos	Code	Description	Qty	Note
	1380141	Rail	5/8"	2
45	Z-Bracket-1 3/4	Rail	1-3/4"	2
	Z-Bracket	Rail	2-5/8"	2
46	1989600	Plug	3/8" G Brass, w/O-ring	1
	1981180	Plug	3/8" G, H	1
47	180101	O-Ring	Ø 17.5x2	1
	820361	Plug	1/2" G	1
48	960870	Plug	1/2" G, H	1
	1381070	Blank Pump Head	Ø 18 H	1
	1381071	Blank Pump Head	Ø 18 Brass	1
49	1380020	Blank Pump Head	Ø 20-22 Brass	1
	1380680	Blank Pump Head	Ø 20-22 H	1
50	820150	Head Bolt	M8x70 (217 in/lbs)	8
77	1383140	Bearing		1
	1389270	Complete Pump Head	Ø 18, Brass	1
	1389272	Complete Pump Head	Ø 18 H	1
78	1389271	Complete Pump Head	Ø 18 H	1
	1389212	Complete Pump Head	Ø 20 H	1
	1389220	Complete Pump Head	Ø 22 H	1
86	1260250	Oil Sight Glass		1
87	1260430	Retainer Ring		1
88	1780690	Sight Glass Diffuser		1
89	1140450	O-Ring	Ø 20.24x2.62	1

AR64516 Oil (16 oz) - Capacity 15 oz, QTY 1
Pumps are Prefilled with Oil from the Factory.
Change oil every 3-5 months or every 500 hours of operation.
H = Nickel Plated
SS = Stainless Steel
NL = 45mm Shaft length
Tightening torque (Tolerance + 0 ÷ -10%)

OPTIONAL PARTS/KITS

Pos	Code	Description	Qty	Note
	2809	Viton Water Seals Kit	Ø 18	1
	2810	Viton Water Seals Kit	Ø 20	1
	2811	Viton Water Seals Kit	Ø 22	1
	42213	Water Seal Kit for up to 180° F	Ø 18 High Temp	1
	2820	Water Seal Kit for up to 180° F	Ø 20 High Temp	1
	1837	Rail Kit 5/8"	2 Rails & 4 Bolts	1
	2633	Rail Kit 1-3/4"	2 Rails & 4 Bolts	1
	2633H	Rail Kit 2-5/8"	2 Rails & 4 Bolts	1
	42149	Single Cylinder Piston Kit	Ø 18	1
				Pos 23, 24, 25, 26, 27, 31
2	960090T	Tapped Valve Cap	Threaded 1/4" brass (478 in/lbs)	1
2	960850T	Tapped Valve Cap	Threaded 1/4" SST (478 in/lbs)	1
	1829	Support Ring Kit	Ø 18	1
	1815	Support Ring Kit	Ø 20	1
	1816	Support Ring Kit	Ø 22	1
	AR1989600	Plug w/O-Ring Kit		1
				Pos 42, 43

LEGEND

Symbol	Material	Description
○	-	RK15.15, RK15.20H, RK15.28H ★ Ø 18
●	-	RK18.20H, RK18.28H ★ Ø 20
■	-	RK18.28HNL ★ Ø 20
□	-	RK21.20H Ø 22
★	-	Over 3600 PSI

