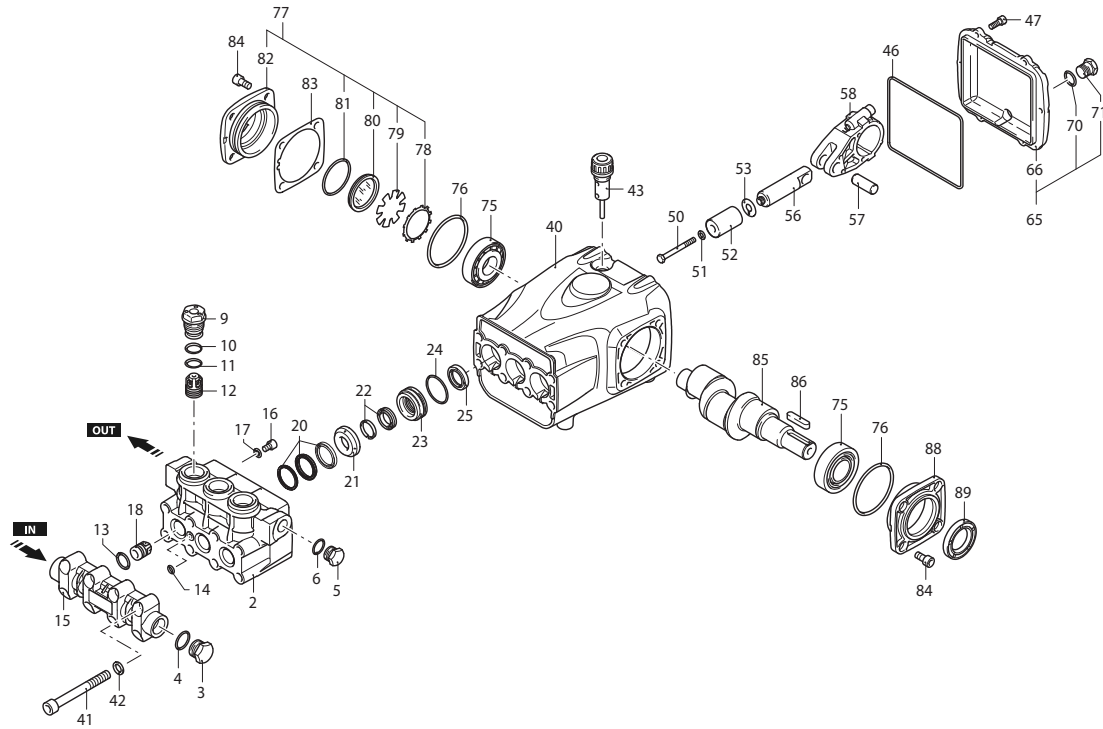
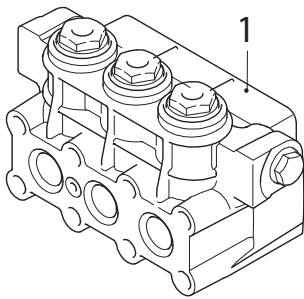


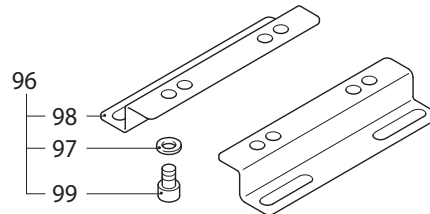
# RGXA - 1750 RPM Schematic and Parts



## Complete Pump Head



## Rails



# RGXA - 1750 RPM - Parts and Kits

Pos	Code	Description	Qty	Note
1	4029214	Complete Pump Head	1	
2	1943540	Blank Head brass	1	
3	820361	Plug 1/2" G, Brass	1	(354.03 in/lbs)
4	180101	O-ring Ø 17.5x2	1	
5	1989600	Plug w/O-ring 3/8" G, Brass	1	Includes Pos 6, (177.01 in/lbs)
6	740290	O-ring Ø 14x1.78	1	
9	1940940	Valve Cap	3	
10	1941070	Fiber Ring	3	
11	880830	O-ring Ø 15.54x2.62	3	
12	1949055	Complete Valve White Cage - outlet	3	
13	1540630	O-ring Ø 23.47x2.62	3	
14	800560	O-ring Ø 8.73x1.78	1	
15	1943550	Inlet Suction fitting	1	
16	1943560	Bolt TCEI M6x12	3	(61.96 in/lbs)
17	1982570	Washer	3	
18	4029005	Complete valve Black cage - inlet	3	
20	1944620	High Pressure Water Seal Ø 18	3	
21	1942470	Front Piston Guide Ø 18	3	
22	1942690	Low Pressure Water seal Ø 18	3	
23	1942480	Rear Piston Guide Ø 18	3	
24	820490	O-ring Ø 34.65x1.78	3	
25	1940560	Oil Seal	3	
40	4020010	Pump body	1	
41	1943040	Head Bolt TCEI M10x130	8	
42	650530	Lock Washer	8	
43	1140370	Oil Cap (vented Dipstick)	1	
46	1940410	O-ring Ø 132x3	1	
47	1200430	Bolt TCEI M6x16	6	(88.51 in/lbs)
50	1941640	Piston Bolt TE M6x60	3	(61.96 in/lbs)
51	1340600	Washer	3	
52	1941020	Piston Ø 18	3	
53	1383190	Washer (slinger)	3	
56	1940960	Piston Rod	3	
57	1940060	Connecting Rod Pin	3	
58	1940051	Connecting Rod Alum.	3	(177.01 in/lbs)
65	4029001	Complete Rear Cover	1	
66	4020030	Rear Cover	1	
70	740290	O-ring Ø 14x1.78	1	
71	1989600	Plug w/O-ring 3/8" G, Brass	1	Includes Pos 70, (177.01 in/lbs)
75	1140410	Bearing	2	
76	1941380	O-ring Ø 66.34x2.62	2	
77	4029000	Complete Side Cover	1	
78	4020080	Retainer	1	
79	4020070	Sight Glass Diffuser	1	
80	4020160	Oil Sight Glass	1	
81	3680250	O-ring Ø 45.69x2.62	1	

Pos	Code	Description	Qty	Note
82	4020150	Side Cover	1	
83	4020100	Shim 0.05mm	1-3	
	4020110	Shim 0.10mm	1-3	
	4020120	Shim 0.19mm	1-3	
	4020130	Shim 0.25mm	1-3	
84	850370	Bolt TCEI M8x16	8	(216.84 in/lbs)
85	1940520	Shaft 5 ID Stamp	1	
86	650250	Key	1	
88	4020040	Cover	1	(221.27 in/lbs)
89	820681	Shaft Oil Seal	1	(88.51 in/lbs)
Pump Oil Part Number: AR64516 (16 oz) Pump Oil Capacity 32 oz, QTY 2 Pumps are Prefilled with Oil from the Factory. Change oil every 3-5 months or every 500 hours of operation. Tightening torque (Tolerance + 0 - -10%)				

OPTIONAL PARTS/KITS				
Pos	Code	Description	Qty	Note
96	2748	Rail kit	1	Pos: 97, 98, 99
97	200231	Washer	4	
98	1940370	Rail	2	
99	1940380	Bolt TCEI 10x18	4	(442.54 in/lbs)

LEGEND			
Symbol	Material	Description	
○	-	RGXA4G70	Ø 18



Valve Kit 47003	
Pos.	Qty
11	3
12	3
13	3
18	3

Piston Kit 43409	
Pos.	Qty
52	3

Water Seal Kit 43410	
Pos.	Qty
20	3
22	3
24	3

Oil Seal Kit 47083	
Pos.	Qty
25	3
46	1
76	2
89	1

Piston Guide Kit 43411	
Pos.	Qty
21	3
23	3