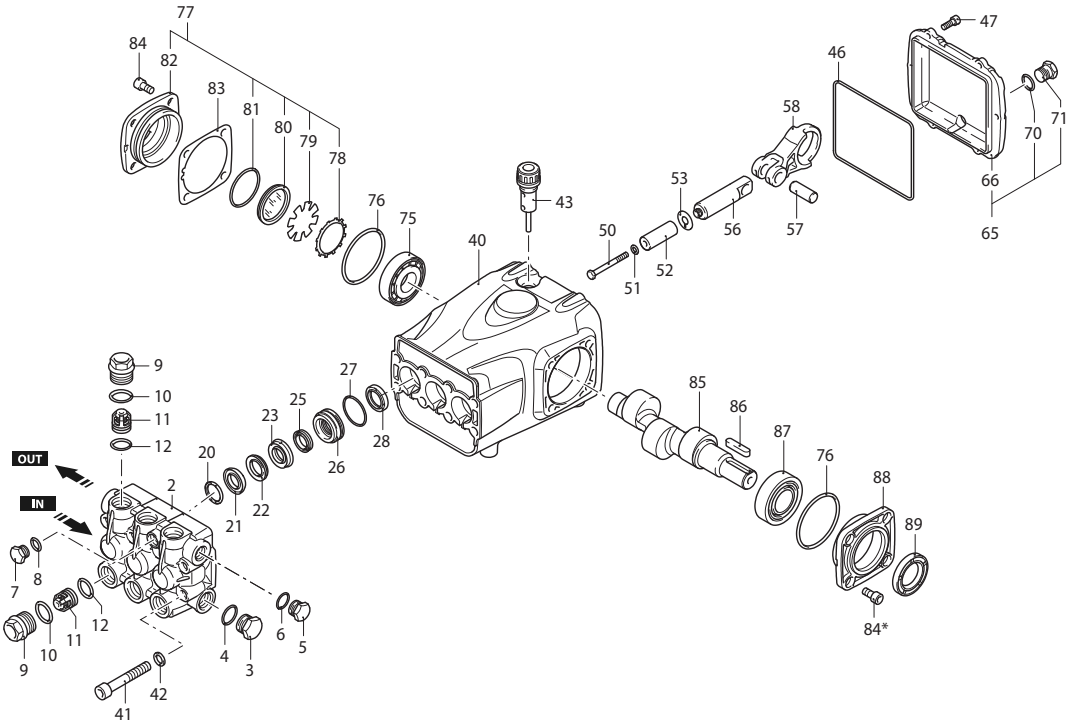
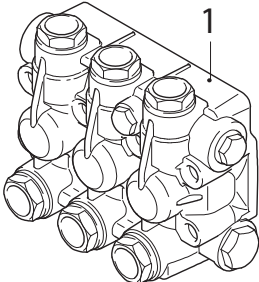


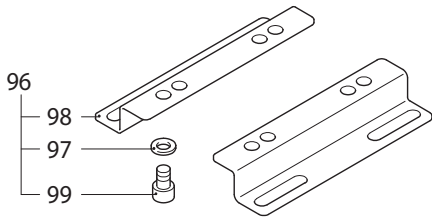
RGA - 1750 RPM - Schematic and Parts



Complete Pump Head



Rails



RGA 1750 RPM PARTS/KITS

Pos	Code	Description	Qty	Note
1	43477	Complete Pump Head Ø18, H	1	
2	4020190	Blank Pump Head H	1	
3	960870	Plug 1/2" G, H	1	(265.52 in/lbs)
4	180101	O-ring Ø17.5x2	1	
5	1981180	Plug 3/8" G, H	1	(177.01 in/lbs)
6	740290	O-ring Ø14x1.78	1	
7	1380690	Plug 1/4" G, H	1	(132.76 in/lbs)
8	820510	O-ring Ø10.82x1.78	1	
9	4020200	Valve Cap H	6	(477.94 in/lbs)
10	960160	O-ring Ø17.86x2.62	6	
11	1389051	Complete valve	6	
12	880830	O-ring Ø15.54x2.62	6	
20	960110	Support Ring Ø18	3	
21	1382740	High Pressure Water seal Ø18	3	
22	2340310	Ring	3	
23	2980070	Front Piston guide Ø18	3	
25	880330	Low Pressure Water seal Ø18	3	
26	1942480	Rear Piston guide Ø18	3	
27	820490	O-ring Ø34.65x1.78	3	
28	1940560	Oil Seal	3	
40	4020010	Pump body	1	
41	2980100	Head Bolt TCEI M10x70	8	(469.09 in/lbs)
42	650530	Lock Washer	8	
43	1140370	Oil Cap (vented Dipstick)	1	
46	1940410	O-ring Ø132x3	1	
47	1200430	Bolt TCEI M6x16	6	(88.51 in/lbs)
50	1941640	Piston Bolt TE M6x60	3	(61.96 in/lbs)
51	1340600	Washer Copper	3	
52	1941020	Piston Ø18	3	
53	1383190	Washer (slinger)	3	
56	1940960	Piston Rod	3	
57	1940060	Connecting Rod Pin	3	
58	2980010	Connecting Rod	3	
65	4029001	Complete Cover	1	
66	4020030	Cover	1	
70	740290	O-ring Ø14x1.78	1	
71	1989600	Plug w/O-ring 3/8" G, Brass	1	(177.01 in/lbs)
75	1140420	Bearing	1	
76	1941380	O-ring Ø66.34x2.62	2	
77	4029000	Complete Side Cover	1	
78	4020080	Retainer Ring	1	
79	4020070	Sight Glass Diffuser	1	
80	4020160	Oil Sight Glass	1	
81	3680250	O-ring Ø45.69x2.62	1	
82	4020150	Side Cover	1	

Pos	Code	Description	Qty	Note
83	4020100	Shim 0.05mm	1-3	
	4020110	Shim 0.10mm	1-3	
	4020120	Shim 0.19mm	1-3	
	4020130	Shim 0.25mm	1-3	
84	850370	Bolt	8	(44.25 in/lbs)
85	2980170	Solid Shaft 4 ID Stamp	1	
86	3200230	Key	1	
87	1941370	Bearing	1	
88	4020040	Cover	1	(221.27 in/lbs)
89	820681	Shaft Oil Seal	1	(88.51 in/lbs)

Pump Oil Part Number: AR64516 (16 oz)
Pump Oil Capacity 32 oz, QTY 2
Pumps are Prefilled with Oil from the Factory.
Change oil every 3-5 months or every 500 hours of operation.
H = Nickel Plated
Tightening torque (Tolerance + 0 ÷ -10%)

OPTIONAL PARTS/KITS				
Pos	Code	Description	Qty	Note
96	2748	Rail kit	1	Pos: 97, 98, 99
97	200231	Washer	4	
98	1940370	Rail	2	
99	1940380	Bolt TCEI 10x18	4	(442.54 in/lbs)

LEGEND		
Symbol	Material	Description
○	-	RGA4G30HN, RGA4G40HN



Valve Kit 2864	
Pos.	Qty
11	6
12	6

Piston Kit 2548	
Pos.	Qty
51	3
52	3
53	3

Water Seal Kit 46848	
Pos.	Qty
20	3
21	3
22	3
25	3
27	3

Oil Seal Kit 47083	
Pos.	Qty
28	3
46	1
76	2
89	1

Piston Guide Kit 42172	
Pos.	Qty
23	3
26	3