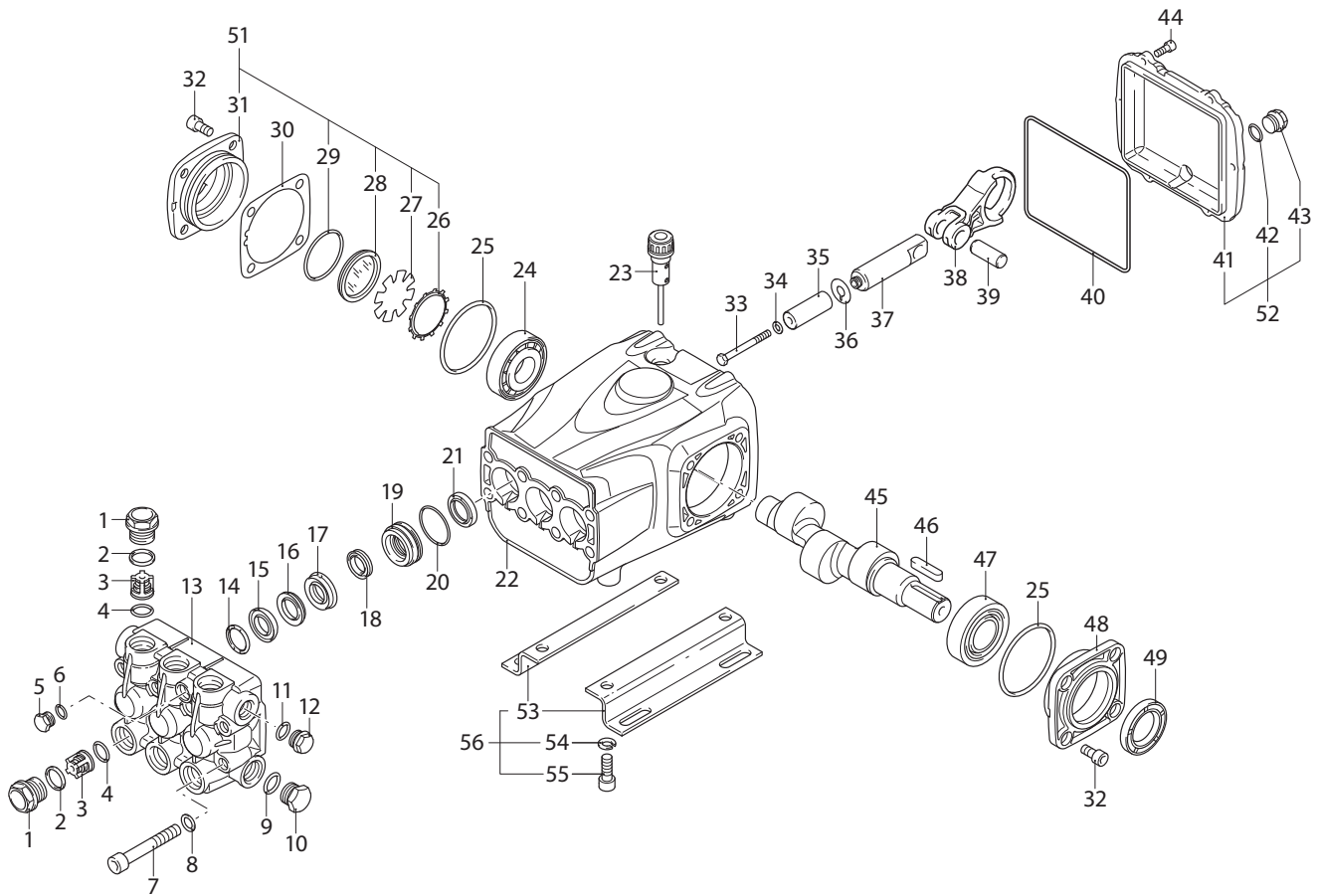
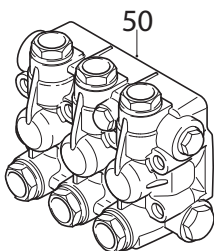


RG - 1450 RPM



Complete Pump Head



RG - 1450 RPM - Parts & Kits

Pos	Code	Description	Qty	Note
1	4020200	Valve Cap (480 in/lbs)	6	
2	960160	O-Ring Ø17.86x2.62	6	
3	960160	Complete Valve	6	
4	880830	O-Ring Ø15.54x2.62	6	
5	1380690	Plug 1/4" G, H	1	
6	820510	O-Ring Ø10.82x1.78	1	
7	820510	Head Bolt M10x70 (468 in/lbs)	8	
8	650530	Lock Washer	8	
9	180101	O-Ring Ø17.5x2	1	
10	960870	Plug 1/2" G, H (348 in/lbs)	1	
11	740290	O-Ring Ø14x1.78	1	
12	1981180	Plug 3/8" G, H (216 in/lbs)	1	
13	4020190	Blank Head	1	
14	960110	Ring Ø18	3	
15	1382740	High Pressure Seal Ø18	3	
16	2340310	Ring Ø18	3	
17	2980070	Front Piston Guide Ø18	3	
18	1942690	Low Pressure Seals w/support ring	3	
19	1942480	Rear Piston Guide Ø18	3	
20	820490	O-Ring Ø34.65x1.78	3	
21	1940560	Oil Seal	3	
22	4020010	Pump Body	1	
23	1980710	Oil Cap (Vented Dipstick)	1	
24	1140420	Bearing	1	
25	1941380	O-Ring Ø66.34x2.62	2	
26	4020080	Retainer Ring	1	
27	4020070	Sight Glass Diffuser	1	
28	4020160	Oil Sight Glass	1	
29	3680250	O-Ring Ø45.69x2.62	1	
30	4020100	Shim 0.05 mm	1-3	
	4020110	Shim 0.10 mm	1-3	
	4020120	Shim 0.19 mm	1-3	
	4020130	Shim 0.25 mm	1-3	
31	4020150	Side Cover Non-drive side	1	
32	850370	Bolt M8x16 (216 in/lbs)	8	
33	1941640	Piston Bolt M6x60 (60 in/lbs)	3	
34	1340600	Washer Copper	3	
35	1941020	Piston Ø18	3	
36	1383190	Washer (slinger)	3	
37	1940960	Piston Rod	3	
38	2980010	Connecting Rod	3	
39	1940060	Connecting Rod Pin	3	
40	1940410	O-Ring Ø132x3	1	
41	4020030	Rear Cover	1	
42	740290	O-Ring Ø14x1.78	1	
43	1989600	Plug 3/8" G w/O-ring (216 in/lbs)	1	
44	1200430	Bolt M6x16 (84 in/lbs)	6	
45	2980160	Solid Shaft 3 ID Stamp	1	○
	2980250	Solid Shaft 1 ID Stamp	1	●

Pos	Code	Description	Qty	Note
46	3200230	Key	1	
47	1941370	Bearing	1	
48	4020040	Side Cover driveside	1	
49	820680	Shaft Oil Seal (84 in/lbs)	1	
50	43477	Complete Head H	1	
51	4029000	Compete Side Cover non-drive side	1	
52	4029001	Compete Rear Cover	1	
53	1940370	Rail	2	
54	200231	Washer	4	
55	1940380	Bolt 10x18 (432 in/lbs)	4	
56	2748	Rail Kit	1	

AR64516 Oil (16 oz) - Capacity 32 oz, QTY 2
 Pumps are Prefilled with Oil from the Factory.
 Change oil every 3-5 months or every 500 hours of operation.
 H = Nickel Plated
 Tightening torque (Tolerance + 0 ÷ -10%)

OPTIONAL PARTS/KITS				
Pos	Code	Description	Qty	Note
1	961440	Tapped Valve Cap Threaded 1/4" brass (40 ft/lbs)	1	
1	1381340	Tapped Valve Cap Threaded 1/4" H (40 ft/lbs)	1	
	1980710	Red Shipping Plug	1	

LEGEND		
Symbol	Material	Description
○	-	RG1525HN
●	-	RG2125HN



Valve Kit 2864	
Pos.	Qty
3	6
4	6

Piston Kit 2872	
Pos.	Qty
35	3

Water Seal Kit 42171	
Pos.	Qty
14	3
15	3
16	3
18	3
20	3

Oil Seal Kit 2873	
Pos.	Qty
21	3
25	2
40	1
49	1

Piston Guide Kit 42172	
Pos.	Qty
17	3
19	3