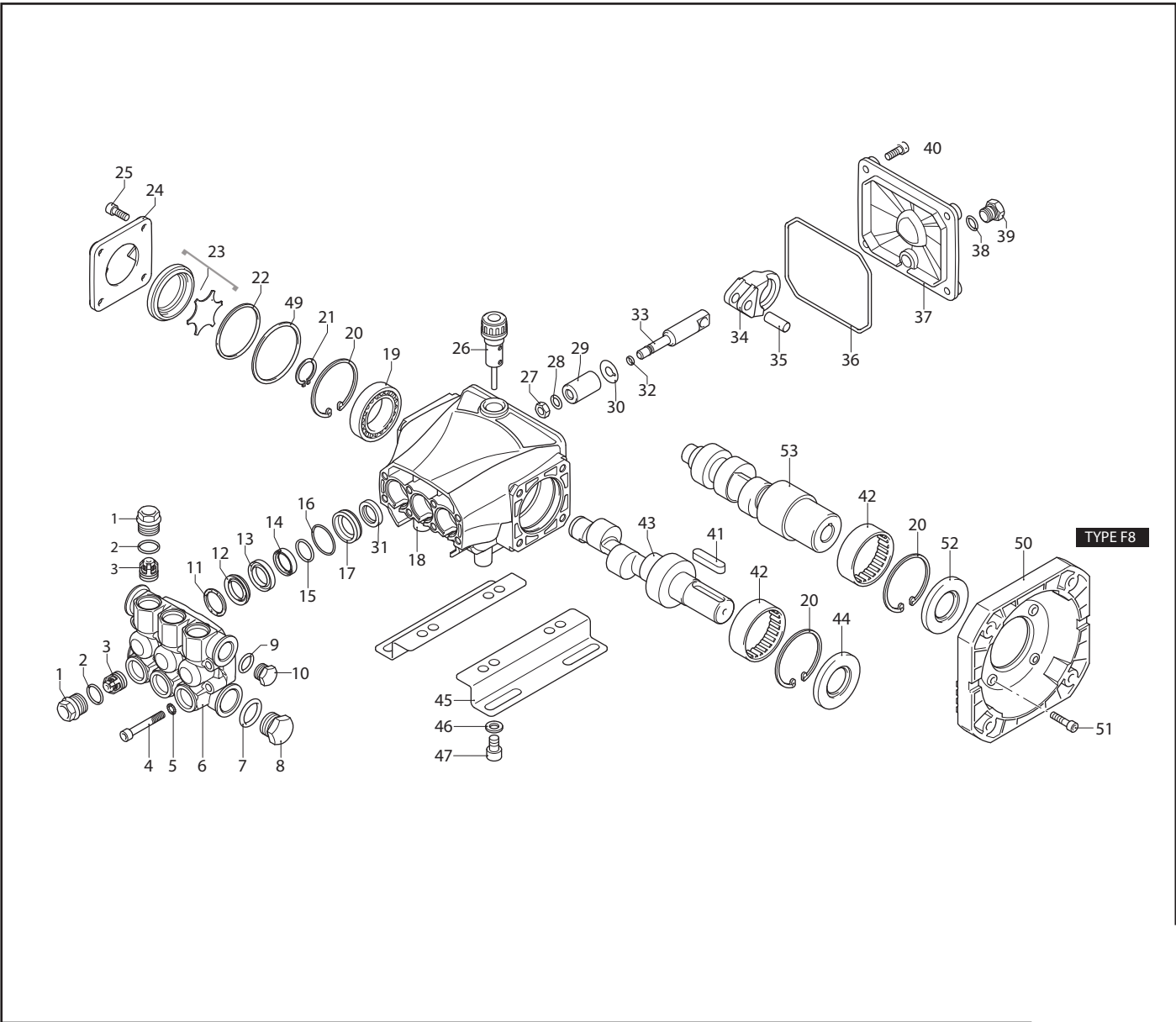
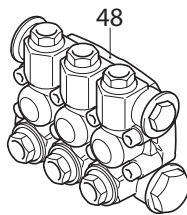


RCA - 1750 RPM



Complete Pump Head



RCA - 1750 Parts & Kits

Pos	Code	Description	Qty	Note
1	3200110	Valve Cap (216 in/lbs)	6	
2	1200690	O-Ring Ø 15.6x1.78	6	
3	2769050	Complete Valve	6	
4	800410	Head Bolt M6x40	8	
5	1381550	Lock Washer	8	
6	3200020	Blank Head	1	
7	180101	O-Ring Ø 17.5x2	1	
8	820361	Plug 1/2" G (354 in/lbs)	1	
9	740290	O-Ring Ø 14x1.78	1	
10	1989600	Plug 3/8" G Brass, w/O-ring (221 in/lbs)	1	
11	1780140	Support Ring 18mm	3	
12	1780720	Hight Pressure Seal	3	
13	3200130	Front Piston Guide	3	
14	3200142	Low Pressure Seal	3	
15	3200260	Fiber Ring	3	
16	770260	O-Ring Ø 21.95x1.78	3	
17	3200120	Rear Piston Guide	3	
18	3200010	Pump Body	1	
19	1780490	Bearing	1	
20	1260790	Retainer Ring Ø i52	1	
21	1780550	Retainer Ring Ø e 20	1	
22	395081	O-Ring Ø 47.30x2.62	1	
23	3209615	Oil Indicator	1	
24	3200070	Side Cover	1	
25	1200430	Bolt M6x16 (92 in/lbs)	8	
26	3201890	Oil Cap (Vented Dipstick)	1	
27	1260110	Nut M8 (106 in/lbs)	3	
28	1260100	Washer 8x13x0.50	3	
29	1260210	Piston Ø 18	3	
30	1260091	Washer (slinger)	3	
31	1260460	Oil Seal	3	
32	480480	O-Ring Ø 4.48x1.78	3	
33	3200060	Piston Rod	3	
34	3200040	Connecting Rod	3	
35	1780050	Connecting Rod Pin	3	
36	2760280	O-Ring Ø 101.27x2.62	1	
37	3200030	Rear Cover	1	
38	820510	O-Ring Ø 10.82x1.78	1	
39	880581	Plug 1/4" G	1	
40	3200220	Bolt TCEI 6x16	4	
41	3200230	Key	1	
42	1321190	Bearing	1	

Pos	Code	Description	Qty	Note
43	3200310	Solid Shaft 6 ID Stamp	1	●
	3200330	Solid Shaft 8 ID Stamp	1	○
	3200290	Solid Shaft 4 ID Stamp	1	□
44	1260750	Shaft Oil Seal (N Version)	1	
45	320210	Rail (N Version)	2	
46	1322640	Washer (N Version)	4	
47	850250	Bolt M8x12 (N Version)	4	
48	42948	Complete Pump Head	1	
49	3201860	Ring Ø 51.8x0.5	1	
50	1584	F8 Flange Electric Motor NEMA 56-C	1	
51	1200430	Bolt M6x16	4	
52	480671	Shaft Oil Seal (E Version)	1	
53	3201190	Hollow Shaft	1	■
	3200180	Hollow Shaft	1	⊠
	3200830	Hollow Shaft	1	▽

AR64516 Oil (16 oz) - Capacity 9.81 oz, QTY 1
Pumps are Prefilled with Oil from the Factory.
Change oil every 3-5 months or every 500 hours of operation.
Tightening torque (Tolerance + 0 ÷ -10%)

OPTIONAL PARTS/KITS

Pos	Code	Description	Qty	Note
	2745	Support Ring Kit	1	Pos 11
	42470	O-Ring Kit	1	Pos 2, 7, 9, 16, 22, 32, 36, 38

LEGEND

Symbol	Material	Description
▽	-	RCA35G16E Ø 18
○	-	RCA25G25N Ø 18
●	-	RCA3G25N Ø 18
□	-	RCA35G25N Ø 18
■	-	RCA2G22E, RCA2G25E Ø 18
⊠	-	RCA3G25E Ø 18

Valve Kit 2186	
Pos.	Qty
3	6

Piston Kit 42467	
Pos.	Qty
29	3

Water Seal Kit 42469	
Pos.	Qty
12	3
14	3
15	3
16	3

Oil Seal Kit 42468 (N) Kit 42474 (E)	
Pos.	Qty
31	3
44(N)/52(E)	1